



Illume

Specifications Guide / Valid thru February 2026

Please Note: Items are subject to change without prior notice. This spec book is missing some updated information, so to stay up to date with product specifications and modification options please use our digital spec book which can be found at <https://ezpricing.fabuwood.com/specbook>

New! Interactive Index

| | | | |
|--|---------------------------|---|---------------------------|
| Specbook Updates | III | Tall Cabinets | 22 |
| Construction Specifications | IV | 13" Deep Tall Pantry Cabinets | 22 |
| Q12® | VI | 24" Deep Tall Pantry Cabinets | 23 |
| Limited Lifetime Warranty | VII | Oven Cabinets | 24 |
| Door Styles | VIII | Vanity Cabinets | 28 |
| Door Styles | VIII | Vanities | 28 |
| Sample Doors | XII | Storage Accessories | 31 |
| Sales Tools | XVI | Base Accessories | 31 |
| Modifications | XVIII | Waste Solutions | 33 |
| Loose Items | XIX | Wall Accessories | 34 |
| Wall Cabinets | 1 | Sink Accessories | 35 |
| 12"- 24" High Wall Cabinets | 1 | Cabinet Accessories | 36 |
| 12"- 24" High & 24" Deep Wall Cabinets | 2 | Fillers | 36 |
| 30" High Wall Cabinets | 3 | Columns | 37 |
| 36" High Wall Cabinets | 5 | End Panels | 38 |
| 42" High Wall Cabinets | 7 | Panels | 39 |
| Specialty Wall Cabinets | 9 | Wainscot Panels | 40 |
| Microwave Wall Cabinets | 10 | Moldings (8') | 41 |
| Wine Cabinets | 11 | Height Alignment Guide | 40 |
| Base Cabinets | 12 | | |
| Base Cabinets | 12 | | |
| Drawer Base Cabinets | 14 | | |
| Blind Base Cabinets | 15 | | |
| Corner Base Cabinets | 16 | | |
| Sink Base Cabinets | 17 | | |
| Specialty Base Cabinets | 18 | | |

Specbook Updates

- **NEW! Sample Door Bag** [pg. XVIII](#)
- **NEW! Modifications** [pg. XXIII](#)
 - » EDGE BAND: Apply edge band on selected side of panel
 - » INCREASE-PANEL: Increase depth of DWR in 1/4" increments
- **NEW! Wine Cubes** [pg. 11](#)
- **NEW! DB24-2** [pg. 14](#)
- **NEW! Cabinet Accessories** [pg. 28](#)
- **NEW! Floating Shelves** [pg. 32](#)
- **NEW! Overlay Fillers** [pg. 38](#)
- **Notice Regarding Illume Customizations** [pg. IV](#)
- **Height Alignment Guide** [pg. 45](#)

Construction Specifications

Doors and Drawer Fronts:

Doors and drawer fronts in the Illume line feature an MDF core with high-quality Pro Touch Technique lacquered boards and edge-banding in Gloss or Matte Finishes.

Hinges:

BLUM Concealed Clip-On Hinges with BLUMOTION Soft-Close and Quick-Release Technology. Hinges are six-way adjustable and open at 110°. Please note: Lazy Susan, Easy Reach, and Wall Pie Cut cabinets do not feature the soft-close mechanism.

Drawers:

The Illume line includes the BLUM MERIVOBX Metal Drawer System with an indium gray interior. MERIVOBX drawers have concealed Full-Extension Slides and Integrated BLUMOTION Soft-Close technology with a 75 lb dynamic load capacity.

Shelving:

3/4" thick Engineered Furniture Board (EFB) shelves, edge-banded in White Linen textured laminate. The adjustable shelves are supported by metal shelf clips. All standard depth base cabinetry includes an 18" deep adjustable shelf, wall cabinetry 12" deep adjustable shelves, and tall cabinetry 21" deep adjustable shelves.

Box:

The Illume line features Cutting-Edge Threespine® Click Technology for a frameless box with tight seams & rigid construction. Sides, top & bottom panels are 3/4" Engineered Furniture Board (EFB) with front edges edge-banded in White Linen Textured Laminate & White Linen Interior. The back panel is 1/4" Medium Density Fiberboard (MDF) with 5/8" thick hanging rails.

Toe Kick:

Adjustable furniture feet included with Base & Tall Cabinets for easy leveling during installation; included are clip-on brackets for toe kick trim attachment.

Matching lengths of Toe Kick are available to purchase separately. Toe Kick is 3/4" Engineered Furniture Board (EFB) with edge-banding on all sides.

Installation Note:

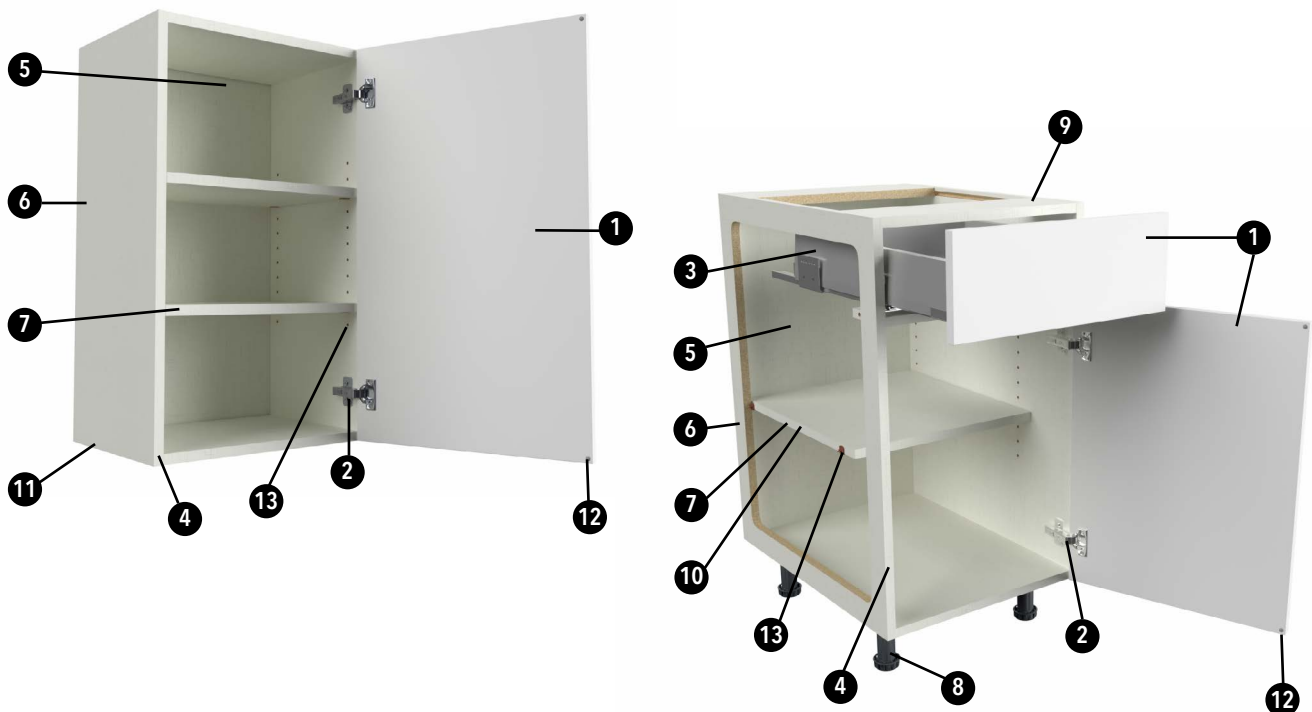
Illume Cabinets are shipped with a protective film on the front face and edge-banding of all Doors, Front Panels, Wainscot Panels, Finished Accessories. Film is recommended to be removed after installation of cabinetry & job site construction is complete.

Notice regarding Illume Customizations:

Any customizations for the Illume Frameless line are manufactured and assembled in our Newark Manufacturing facility and will not include the Threespine® Click Technology.

Construction Specifications

- 1 3/4" MDF slab door & drawer front
- 2 BLUM Concealed Clip-On Hinges with BLUMOTION Soft-Close and Quick-Release Technology. Hinges are six-way adjustable and open at 110°
- 3 BLUM MERIVOBX Metal Drawer System with a indium gray interior, 2-5/8" interior drawer height
- 4 3/4" Machine Edge-Banding, matches White Linen interiors
- 5 1/4" Engineered Furniture Board (EFB) back panel with 5/8" hanging rails, finished with White Linen Textured Laminate
- 6 3/4" Engineered Furniture Board (EFB) side panels, finished with White Linen Textured Laminate
For matching side panels to complement the Door Style Finish, Wainscot Panels are available (purchased separately)
- 7 3/4" Engineered Furniture Board (EFB) adjustable shelving, Edge-Banded with White Linen Textured Laminate
- 8 Black plastic furniture feet*, adjustable from 3-3/4" to 5-3/8"
- 9 5-1/2" wide panel beams, front and rear
- 10 Base cabinet has 18" deep shelves
- 11 Wall cabinets are 13" deep with 12" interior depth
- 12 Rubber bumpers for door and drawer fronts.
- 13 Adjustable shelf clips.



* Note for Cabinets with Adjustable Furniture Feet:
The overall height dimensions listed throughout the specbook for these cabinets are **before** installation of the included foot attachment.

Featuring

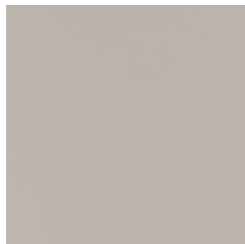

Finish Specifications



Gloss Grigio

Gloss Finish

- 18mm thick / MDF / High Gloss Lacquered Surface
- Composed of a high-quality MDF board, pressed with a decorative paper infused with resins and protective elements.
- Top coat consisting of High Gloss Lacquer with UV drying applied to the front face
- Highly Scratch-Resistant: Unique qualities that allow it to be applied in environments with continuous contact of objects.
- High Gloss: Technology offers extraordinary beauty in its reflection and finishes.



Matte Carbone

Matte Finish

- 18mm thick / MDF / Matte Lacquered Surface
- Composed of a high-quality MDF board, pressed with a decorative paper infused with resins and protective elements.
- Top coat consisting of Matte Lacquer with UV curing applied to the front face.
- Silk Touch: Velvet and silk surface texture with extreme softness.
- Anti-Fingerprint: Innovative solution that stands out for its anti-fingerprint properties that prevent finger marks.
- Repair of Superficial Micro-Scratches (Self-Repairing): Technology used allows micro-scratches to be easily repaired.



Como Ash 2

Textured Finish

- 18mm thick / EFB / Resin-Based Coating with Textured Relief Details
- Composed of an Engineered Furniture Board (EFB) base, pressed with a decorative paper infused with resins and protective elements.
- Unique resin formula, for very realistic relief finishes with greater depth of detail.
- Natural-Look Finishes: Surfaces with great beauty, organic feel , and high decorative level.



What exactly defines a Q12 cabinet?

To fully achieve Q12 eligibility, a cabinet must encompass twelve unique standards of quality. Read below to learn more about the twelve fundamental pillars that establish the Q12 qualification:

Q1: CAREFULLY SELECTED ELEMENTS

To ensure the absolute integrity of our product, each element is carefully selected. We start by choosing only "Grade-A" materials and make no compromises along the way.

Q2: PRO-TOUCH TECHNIQUES

Our Allure and Illume cabinets offer high-end finishes that are as beautiful as they are durable and practical. Fabuwood's distinctive pro-touch techniques allow for a sustainable and resilient cabinet finish that is not only easy to clean but will retain its beautiful luster for years.

Q3: ADVANCED CONSTRUCTION

Our Allure Dovetail and Illume Threespine® construction methods are superior, innovative, and built for a lifetime of use. Fabuwood offers cabinets of the utmost strength, on par with the highest industry standards. Our attention to detail, coupled with advanced construction techniques, means a long lasting, superior quality cabinet every time.

Q4: ANTI-WARP STRUCTURES

All our cabinets are engineered in a way that eliminates warping, ensuring the cabinets hold up against elemental pressures. Crafted to perfection, every detailed component is created with unfailing durability. Each cabinet we produce is held to a high standard, ensuring long-lasting reliability.

Q5: METAL SHELF CLIPS

To maintain a maximum level of stability that preserves a shelf's longevity, these metal shelf clips assure sturdiness and durability. With this feature your shelves are sure to stand the test of time.

Q6: TOUGH BACK BUILDS

For superior structural longevity, the back builds on the Allure and Illume series are built tough and easy to install. Our rigorous pressure testing guarantees that our products won't give in.

Q7: FLUSH FIT

To achieve an attractive appearance that is convenient and practical, our Q12 cabinets are built with a flush fit to ensure smooth surfaces and easy in-and-out access.

Q8: UNIQUE INTERIORS

The interior finish of our cabinets is as important as the exterior. Fabuwood offers high end, unique interior finishes for a clean and sophisticated look.

Q9: ONE-CLICK INSTALLATION

In addition to our soft-close action feature, the cutting-edge Blum Compact Clip Hinge allows for lightning-fast one-click installation and release.

Q10: FLUID FULL-EXTENSION

Our cabinets are built with smooth full-extension glides to guarantee an enhanced running action that maximizes its storage to full capacity. Fabuwood manufactures its cabinets with Blum's runners and soft-closing technology, utilizing space while also preventing damage and deterioration.

Q11: EZ LEVEL DRAWER FRONTS

On both framed and frameless products, to achieve an aesthetically graceful balance and ensure proper drawer alignment and function, our cabinets use an effortless system, utilizing a degree of mechanical precision for installing perfectly positioned drawer faces.

Q12: LIMITED LIFETIME WARRANTY

Our integrity-defining limited lifetime warranty is our commitment to quality and excellence. The warranty reflects our pledge to always back our cabinets while delivering an immaculate product. With precise crafting techniques, Q12 cabinets are poised for a lifetime of use.

Limited Lifetime Warranty

COVERAGE OF WARRANTY

Fabuwood Cabinetry Corp. ("Fabuwood") is pleased to provide the following limited warranty to the first residential purchaser on all cabinets sold in the United States and Canada by an authorized Fabuwood dealer. This warranty does not cover cabinets sold or shipped outside of the United States and Canada. A First Residential Purchaser ("First Residential Purchaser") is a person who purchases and installs the cabinets in a dwelling that is owned and used by that person as a primary or secondary home, or, in the case of a developer or builder, this limited warranty may be assigned to the initial purchaser who uses the dwelling as a primary or secondary home. This warranty, however, is not transferable to subsequent owners of the home. This limited warranty is subject to all limitations, exclusions, disclaimers and procedures set forth herein.

LIMITED LIFETIME WARRANTY (Only on Allure, Illume, Value Premium, and Quest series cabinets): Fabuwood warrants to the First Residential Purchaser that all cabinets purchased from Fabuwood will be free from all unnatural defects in material and workmanship in accordance with Fabuwood's Quality Standards under normal residential use as long as the First Residential Purchaser owns the home in which such cabinets are installed.

EXCLUSIONS

THIS WARRANTY SUPERSEDES ANY AND ALL PREVIOUS WARRANTIES BY FABUWOOD AND CONSTITUTES THE EXCLUSIVE REMEDY AGAINST FABUWOOD FOR ALL DEFECTS, DAMAGES AND WORKMANSHIP. THERE ARE NO IMPLIED WARRANTIES EXTENDING BEYOND THE TERMS OF THIS WARRANTY. TO THE MAXIMUM EXTENT PERMITTED BY APPLICABLE LAW, FABUWOOD SHALL NOT BE LIABLE FOR ANY INDIRECT, SPECIAL, PUNITIVE, INCIDENTAL OR CONSEQUENTIAL COSTS, EXPENSES OR DAMAGES (INCLUDING LOST PROFITS), EVEN IF THIS LIMITED LIFETIME WARRANTY IS DEEMED TO HAVE FAILED OF ITS ESSENTIAL PURPOSE. SOME STATES DO NOT ALLOW THE EXCLUSION OR LIMITATION OF INCIDENTAL OR CONSEQUENTIAL DAMAGES, SO THE ABOVE LIMITATION OR EXCLUSION MAY NOT APPLY TO YOU. THIS WARRANTY GIVES YOU SPECIFIC LEGAL RIGHTS, AND YOU MAY ALSO HAVE OTHER RIGHTS, WHICH VARY FROM STATE TO STATE. IT IS POSSIBLE THAT ONE OR MORE OF THE LIMITATIONS AND EXCLUSIONS IN THIS WARRANTY MAY NOT APPLY TO YOU. THE LIMITED LIFETIME WARRANTY ON ALLURE, ILLUME, VALUE PREMIUM AND QUEST SERIES CABINETS APPLIES ONLY TO PRODUCTS PURCHASED ON OR AFTER OCTOBER 1, 2024. VALUE PREMIUM & QUEST SERIES CABINETS PURCHASED PRIOR TO OCTOBER 1, 2024, AND ALLURE & ILLUME SERIES CABINETS PURCHASED BEFORE JANUARY 26, 2023, ARE NOT INCLUDED IN THE LIMITED LIFETIME WARRANTY AND ARE SUBJECT TO FABUWOOD'S LIMITED 5-YEAR WARRANTY.

LIMITATIONS

This warranty shall become void if the cabinets, cabinetwork, drawer slides or hinges are modified from its original form, improperly installed or damaged prior to or during the installation, or used in any way other than for residential purposes. This warranty covers only parts and materials of the cabinets as supplied by Fabuwood. This warranty does not cover any products used or installed in connection with cabinets, such as gas or electric appliances, countertops, or plumbing fixtures. It also does not cover Blum hinges or any other third-party manufactured accessories or enhancements.

This warranty does not apply to products installed in locations that do not maintain year-round environmental controls. This warranty shall not apply to damages caused by transportation, storage, dirt, chemicals, exposure to moisture, humidity or excessive heat or cold, nor does it cover the effects arising from normal wear and tear, misuse, neglect, accidents, alterations, improper use or failure to maintain properly, house settling, or acts of God. No installer, retailer, distributor, agent or employee of Fabuwood has the authority to alter the obligations or limitations in this warranty.

QUALITY STANDARDS

This warranty covers all damages and unnatural defects that are deemed as such under the Fabuwood Quality Standards. The Fabuwood Quality Standards, which will be provided to you by your Fabuwood dealer upon request, should be reviewed at the time a claim for warranty service is being considered. Fabuwood reserves the right to modify or change the Fabuwood Quality Standards at any time without notice.

DISCLAIMERS

The following is a brief recap of some of the characteristics of the wood and finishes on the cabinets you are about to purchase. Please read them carefully. If some of these characteristics concern you, please choose something else. We bring these characteristics to your attention so you will realize that Fabuwood will not be held responsible for these variations in your cabinetry. It is important to note that wood products claimed as defective are most often the result of

atmospheric conditions such as excess moisture and humidity. Fabuwood strongly recommends testing the intended location of the products for such conditions prior to installation.

WOOD AND COLOR VARIATIONS: Wood is a product of nature, and since no two trees are alike, cabinets may vary in color, texture and grain. Wood characteristics naturally occurring such as variations in color, grain, mineral streaks, pinholes and knots are not considered defects. Color variations in cabinets are also a natural occurrence due to species, age, character of cabinets, and exposure to UV light, smoke, certain household cleaners, sunlight, extreme temperatures, and other environmental conditions. For these reasons, new and/or replacement cabinets may not match display samples and/or existing cabinets. This may result in overall color variations and is not considered a defect.

WOOD DOORS, DRAWER FRONTS, AND FACE FRAMES: Wood by nature will undergo expansion and contraction movements over the years as it compensates and adjusts to ever changing atmospheric humidity and temperature conditions. It is very common for center panels on doors to shrink, expand or move during these changes. Typically, the panel will return to its normal position within a year once it has adjusted to seasonal changes. It is for these same reasons that it is very common for doors to warp during these periods. Doors that are warped up to ¼" are not considered defective. [Note: It is advisable to check if the door was properly installed, since doors that appear warped are very often the result of improper installation.] Painted doors, drawer fronts, and face frames may eventually have visible cracking around the joint areas, and cabinet colors may darken or lighten over time. These variations are considered to be the nature of the material in relation to their environmental exposure and are not covered under this Limited Lifetime Warranty.

PAINTED FINISHES: Plywood is a non-porous, smooth grained wood. Additionally, wood by nature undergoes periods of expansion and contraction while it adjusts to atmospheric conditions mentioned above. As such, finish stress lines may become visible on painted cabinets especially at the joints. Any such occurrence is not considered a defect.

GLAZED FINISHES: A glazed finish by character is an uneven finish. Some edges and profiles will be larger than others and glazing may vary cabinet to cabinet, door to drawer and item to item. This may result in overall color, texture, and finish variations but these are not considered defects.

WARRANTY PERFORMANCE

If a defect does occur within the terms and conditions of this warranty such defective part will be repaired or replaced by Fabuwood at its sole discretion. Fabuwood will not provide or pay for the cost of removal of defective product, transportation of defective, repaired or replaced product or installation of repaired or replaced product. If it is not commercially feasible to repair or replace a defective product, we may refund the original price paid by you for the defective product or provide a credit towards a similar type of product sold by us. Fabuwood will not be responsible for any shipping damages to the defective, replaced or repaired product. If defective item has been discontinued or is not available at the time, Fabuwood reserves the right to replace the item with the most similar item available in Fabuwood's inventory at that time. Fabuwood reserves the right to alter design, specifications and material without obligation to make similar changes to products previously manufactured. Fabuwood cannot guarantee that the finish of any replacement will exactly match the finish and appearance of the defective item due to the natural ageing process of the wood and finishes of the cabinets. Fabuwood may require at its discretion that the customer submit a clear photo, or that a company representative inspect the item being claimed before honoring this warranty.

CLAIMS

For a warranty claim made by the First Residential Purchaser to be considered, please contact the original Fabuwood-authorized dealer, who must file the claim through the Fabuwood EZ pricing system. In the event that the original dealer cannot be identified, or they have closed down, the warranty claim must be emailed to customerservice@fabuwood.com. The email should explain the issue and include pictures showing the claimed defects. Feel free to call +1 201-432-6555 ext. 1 for assistance.

NOTE

Please do not send back any items to Fabuwood prior to receiving proper Replacement Material Authorization ("RMA") from Warranty Support. Fabuwood takes no responsibility on any items sent back to Fabuwood without proper RMA.

Last Modified October 1, 2024: Change to include Value Premium, and Quest series cabinets under the Limited Lifetime Warranty. Previously Modified January 26, 2023: Change of the warranty on Allure and Illume series cabinets from a Limited 5-year Warranty to the Limited Lifetime Warranty.

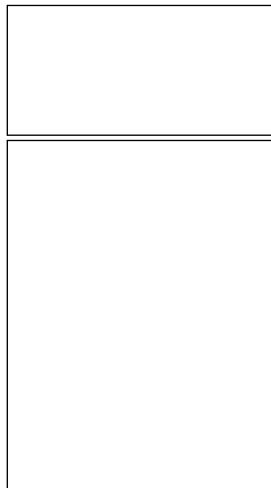
Door Styles



CATALINA

| COLOR | FINISH | PRICE COLUMN |
|----------------|----------|--------------|
| Bianco (ICBG) | Gloss | R |
| Grigio (ICGG) | Gloss | R |
| Bianco (ICBM) | Matte | R |
| Carbone (ICCM) | Matte | R |
| COMO ASH 2 | Textured | T |
| MURATTI 1 | Textured | T |
| MURATTI 4 | Textured | T |
| NOCCE 3 | Textured | T |
| OLMO 3 | Textured | T |

- Full Overlay Slab Door and Drawer Fronts (Euro Overlay with Frameless Box)
- Blum Clip-On Hinges with Blumotion Soft-Close and Quick-Release Technology (Blum Model#71B358E)
- MERIVOBX Full-Extension Metal Drawer System with Blumotion Concealed Runners
- Wood grain textures are not pattern matched

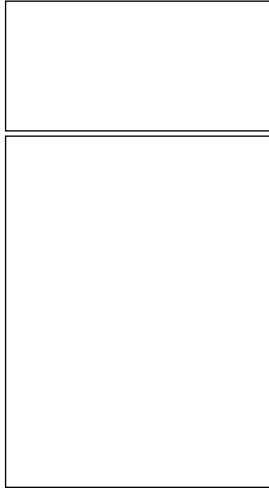


CATALINA DESIGNER'S COLLECTION

| COLOR | FINISH | PRICE COLUMN |
|--------------------|----------|--------------|
| COMO ASH 1 (ICDC) | Textured | R + 5% |
| FRAPPE 1 (ICDC) | Textured | R + 5% |
| ICE CREAM 1 (ICDC) | Textured | R + 5% |
| IDA 1 (ICDC) | Textured | R + 5% |
| IDA 2 (ICDC) | Textured | R + 5% |
| NOCCE 1 (ICDC) | Textured | R + 5% |
| ROSALES 1 (ICDC) | Textured | R + 5% |
| ROSALES 2 (ICDC) | Textured | R + 5% |
| ROSALES 3 (ICDC) | Textured | R + 5% |
| WOODLINE 1 (ICDC) | Textured | R + 5% |
| WOODLINE 3 (ICDC) | Textured | R + 5% |
| WOODLINE 4 (ICDC) | Textured | R + 5% |

- Full Overlay Slab Door and Drawer Fronts (Euro Overlay with Frameless Box)
- Blum Clip-On Hinges with Blumotion Soft-Close and Quick-Release Technology (Blum Model#71B358E)
- MERIVOBX Full-Extension Metal Drawer System with Blumotion Concealed Runners
- Wood grain textures are not pattern matched

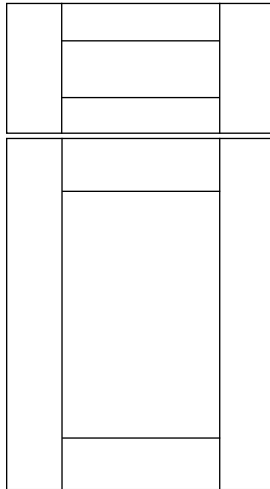
Door Styles


CATALINA DESIGNER'S COLLECTION CONT.

| COLOR | FINISH | PRICE COLUMN |
|---------------------|--------|--------------|
| AGUA MARINA (ICDC) | Gloss | R + 10% |
| AZUL INDIGO (ICDC) | Gloss | R + 10% |
| AZUL MARINO (ICDC) | Gloss | R + 10% |
| BLACK (ICDC) | Gloss | R + 10% |
| BLANCO (ICDC) | Gloss | R + 10% |
| CASHMERE (ICDC) | Gloss | R + 10% |
| EUROLINE (ICDC) | Gloss | R + 10% |
| GRIS NUBE (ICDC) | Gloss | R + 10% |
| GUAYANA (ICDC) | Gloss | R + 10% |
| METALLO 1 (ICDC) | Gloss | R + 10% |
| METALLO 4 (ICDC) | Gloss | R + 10% |
| OLIVO (ICDC) | Gloss | R + 10% |
| TEXTIL PLATA (ICDC) | Gloss | R + 10% |
| AGUA MARINA (ICDC) | Matte | R + 10% |
| ANTRACITA (ICDC) | Matte | R + 10% |
| AZUL INDIGO (ICDC) | Matte | R + 10% |
| AZUL MARINO (ICDC) | Matte | R + 10% |
| BASALTO (ICDC) | Matte | R + 10% |
| BLACK (ICDC) | Matte | R + 10% |
| BLANCO (ICDC) | Matte | R + 10% |
| CASHMERE (ICDC) | Matte | R + 10% |
| GRIS PLOMO (ICDC) | Matte | R + 10% |
| VERDE SALVIA (ICDC) | Matte | R + 10% |

- Full Overlay Slab Door and Drawer Fronts (Euro Overlay with Frameless Box)
- Blum Clip-On Hinges with Blumotion Soft-Close and Quick-Release Technology (Blum Model#71B358E)
- MERIVOBX Full-Extension Metal Drawer System with Blumotion Concealed Runners
- Wood grain textures are not pattern matched

Door Styles

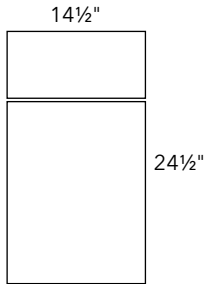


TUSCANY DESIGNER'S COLLECTION

| COLOR | FINISH | PRICE COLUMN |
|--------------------|----------|--------------|
| COMO ASH 1 (ITDC) | Textured | R + 35% |
| COMO ASH 2 (ITDC) | Textured | R + 35% |
| FRAPPE 1 (ITDC) | Textured | R + 35% |
| IDA 1 (ITDC) | Textured | R + 35% |
| IDA 2 (ITDC) | Textured | R + 35% |
| MURATTI 1 (ITDC) | Textured | R + 35% |
| MURATTI 4 (ITDC) | Textured | R + 35% |
| NOCCE 1 (ITDC) | Textured | R + 35% |
| NOCCE 3 (ITDC) | Textured | R + 35% |
| OLMO 3 (ITDC) | Textured | R + 35% |
| ROSALES 1 (ITDC) | Textured | R + 35% |
| ROSALES 2 (ITDC) | Textured | R + 35% |
| ROSALES 3 (ITDC) | Textured | R + 35% |
| WOODLINE 1 (ITDC) | Textured | R + 35% |
| WOODLINE 3 (ITDC) | Textured | R + 35% |
| ANTRACITA (ITDC) | Matte | R + 35% |
| AZUL INDIGO (ITDC) | Matte | R + 35% |
| AZUL MARINO (ITDC) | Matte | R + 35% |
| BASALTO (ITDC) | Matte | R + 35% |
| BLANCO (ITDC) | Matte | R + 35% |
| CASHMERE (ITDC) | Matte | R + 35% |

- Full Overlay 5-Piece & matching 5-piece Drawer Fronts (Euro Overlay with Frameless Box)
- Blum Clip-On Hinges with Blumotion Soft-Close and Quick-Release Technology (Blum Model#71B358E)
- MERIVOBX Full-Extension Metal Drawer System with Blumotion Concealed Runners
- Wood grain textures are not pattern matched

Sample Doors

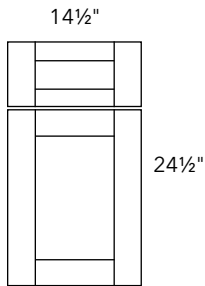


CATALINA DOOR SAMPLES WITH DRAWER FRONT

| ITEM | DESCRIPTION | NET PRICE |
|---------------------|---|-----------|
| SDICBG | CATALINA BIANCO GLOSS SAMPLE DOOR | 66 |
| SDICGG | CATALINA GRIGIO GLOSS SAMPLE DOOR | 66 |
| SDICBM | CATALINA BIANCO MATTE SAMPLE DOOR | 66 |
| SDICCM | CATALINA CARBONE MATTE SAMPLE DOOR | 66 |
| SDICC2 | CATALINA COMO ASH 2 SAMPLE DOOR | 66 |
| SDICM1 | CATALINA MURATTI 1 SAMPLE DOOR | 66 |
| SDICM4 | CATALINA MURATTI 4 SAMPLE DOOR | 66 |
| SDICN3 | CATALINA NOCCE 3 SAMPLE DOOR | 66 |
| SDICO3 | CATALINA OLMO 3 SAMPLE DOOR | 66 |
| SDIC COMO ASH 1 | CATALINA COMO ASH 1 SAMPLE DOOR | 66 |
| SDIC FRAPPE 1 | CATALINA FRAPPE 1 SAMPLE DOOR | 66 |
| SDIC ICE CREAM 1 | CATALINA ICECREAM 1 SAMPLE DOOR | 66 |
| SDIC IDA 1 | CATALINA IDA 1 SAMPLE DOOR | 66 |
| SDIC IDA 2 | CATALINA IDA 2 SAMPLE DOOR | 66 |
| SDIC NOCCE 1 | CATALINA NOCCE 1 SAMPLE DOOR | 66 |
| SDIC ROSALES 1 | CATALINA ROSALES 1 SAMPLE DOOR | 66 |
| SDIC ROSALES 2 | CATALINA ROSALES 2 SAMPLE DOOR | 66 |
| SDIC ROSALES 3 | CATALINA ROSALES 3 SAMPLE DOOR | 66 |
| SDIC WOODLINE 1 | CATALINA WOODLINE 1 SAMPLE DOOR | 66 |
| SDIC WOODLINE 3 | CATALINA WOODLINE 3 SAMPLE DOOR | 66 |
| SDIC WOODLINE 4 | CATALINA WOODLINE 4 SAMPLE DOOR | 66 |
| SDIC AGUA MARINA G | CATALINA AGUA MARINA GLOSS SAMPLE DOOR | 66 |
| SDIC AZUL INDIGO G | CATALINA AZUL INDIGO GLOSS SAMPLE DOOR | 66 |
| SDIC AZUL MARINO G | CATALINA AZUL MARINO GLOSS SAMPLE DOOR | 66 |
| SDIC BLACK G | CATALINA BLACK GLOSS SAMPLE DOOR | 66 |
| SDIC BLANCO G | CATALINA BLANCO GLOSS SAMPLE DOOR | 66 |
| SDIC CASHMERE G | CATALINA CASHMERE GLOSS SAMPLE DOOR | 66 |
| SDIC EUROLINE G | CATALINA EUROLINE GLOSS SAMPLE DOOR | 66 |
| SDIC GRIS NUBE G | CATALINA GRIS NUBE GLOSS SAMPLE DOOR | 66 |
| SDIC GUAYANA G | CATALINA GUAYANA GLOSS SAMPLE DOOR | 66 |
| SDIC METALLO 1 G | CATALINA METALLO 1 GLOSS SAMPLE DOOR | 66 |
| SDIC METALLO 4 G | CATALINA METALLO 4 GLOSS SAMPLE DOOR | 66 |
| SDIC OLIVO G | CATALINA OLIVO GLOSS SAMPLE DOOR | 66 |
| SDIC TEXTIL PLATA G | CATALINA TEXTIL PLATA GLOSS SAMPLE DOOR | 66 |
| SDIC AGUA MARINA M | CATALINA AGUA MARINA MATTE SAMPLE DOOR | 66 |
| SDIC ANTRACITA M | CATALINA ANTRACITA MATTE SAMPLE DOOR | 66 |
| SDIC AZUL INDIGO M | CATALINA AZUL INDIGO MATTE SAMPLE DOOR | 66 |
| SDIC AZUL MARINO M | CATALINA AZUL MARINO MATTE SAMPLE DOOR | 66 |
| SDIC BASALTO M | CATALINA BASALTO MATTE SAMPLE DOOR | 66 |
| SDIC BLACK M | CATALINA BLACK MATTE SAMPLE DOOR | 66 |
| SDIC BLANCO M | CATALINA BLANCO MATTE SAMPLE DOOR | 66 |
| SDIC CASHMERE M | CATALINA CASHMERE MATTE SAMPLE DOOR | 66 |
| SDIC GRIS PLOMO M | CATALINA GRIS PLOMO MATTE SAMPLE DOOR | 66 |
| SDIC VERDE SALVIA M | CATALINA VERDE SALVIA MATTE SAMPLE DOOR | 66 |

Pricing Note: Sales Tools are NET pricing; virtual multiplier applies to these items. Final price listed on Quote/Order will reflect the virtual multiplier.

Sample Doors

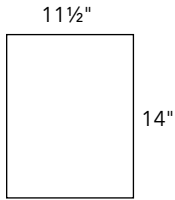


TUSCANY DOOR SAMPLES WITH DRAWER FRONT

| ITEM | DESCRIPTION | NET PRICE |
|---------------------|--|-----------|
| SDIT COMO ASH 1 | TUSCANY COMO ASH 1 SAMPLE DOOR | 88 |
| SDIT COMO ASH 2 | TUSCANY COMO ASH 2 SAMPLE DOOR | 88 |
| SDIT FRAPPE 1 | TUSCANY FRAPPE 1 SAMPLE DOOR | 88 |
| SDIT IDA 1 | TUSCANY IDA 1 SAMPLE DOOR | 88 |
| SDIT IDA 2 | TUSCANY IDA 2 SAMPLE DOOR | 88 |
| SDIT MURATTI 1 | TUSCANY MURATTI 1 SAMPLE DOOR | 88 |
| SDIT MURATTI 4 | TUSCANY MURATTI 4 SAMPLE DOOR | 88 |
| SDIT NOCCE 1 | TUSCANY NOCCE 1 SAMPLE DOOR | 88 |
| SDIT NOCCE 3 | TUSCANY NOCCE 3 SAMPLE DOOR | 88 |
| SDIT OLMO 3 | TUSCANY OLMO 3 SAMPLE DOOR | 88 |
| SDIT ROSALES 2 | TUSCANY ROSALES 2 SAMPLE DOOR | 88 |
| SDIT ROSALES 3 | TUSCANY ROSALES 3 SAMPLE DOOR | 88 |
| SDIT WOODLINE 1 | TUSCANY WOODLINE 1 SAMPLE DOOR | 88 |
| SDIT WOODLINE 3 | TUSCANY WOODLINE 3 SAMPLE DOOR | 88 |
| SDIT ANTRACITA M | TUSCANY ANTRACITA MATTE SAMPLE DOOR | 88 |
| SDIT AZUL INDIGO M | TUSCANY AZUL INDIGO MATTE SAMPLE DOOR | 88 |
| SDIT AZUL MARINO M | TUSCANY AZUL MARINO MATTE SAMPLE DOOR | 88 |
| SDIT BASALTO M | TUSCANY BASALTO MATTE SAMPLE DOOR | 88 |
| SDIT BLANCO M | TUSCANY BLANCO MATTE SAMPLE DOOR | 88 |
| SDIT CASHMERE M | TUSCANY CASHMERE MATTE SAMPLE DOOR | 88 |
| SDIT VERDE SALVIA M | TUSCANY VERDE SALVIA MATTE SAMPLE DOOR | 88 |

Pricing Note: Sales Tools are NET pricing; virtual multiplier applies to these items. Final price listed on Quote/Order will reflect the virtual multiplier.

Sample Doors

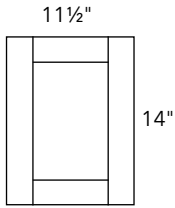


CATALINA SMALL DOOR SAMPLES

| ITEM | DESCRIPTION | NET PRICE |
|-----------------------|---|-----------|
| SDICBG-2 | CATALINA BIANCO GLOSS SAMPLE DOOR 11 1/2" X 14" | 44 |
| SDICGG-2 | CATALINA GRIGIO GLOSS SAMPLE DOOR 11 1/2" X 14" | 44 |
| SDICBM-2 | CATALINA BIANCO MATTE SAMPLE DOOR 11 1/2" X 14" | 44 |
| SDICCM-2 | CATALINA CARBONE MATTE SAMPLE DOOR 11 1/2" X 14" | 44 |
| SDICC2-2 | CATALINA COMO ASH 2 SAMPLE DOOR 11 1/2" X 14" | 44 |
| SDICM1-2 | CATALINA MURATTI 1 SAMPLE DOOR 11 1/2" X 14" | 44 |
| SDICM4-2 | CATALINA MURATTI 4 SAMPLE DOOR 11 1/2" X 14" | 44 |
| SDICN3-2 | CATALINA NOCCE 3 SAMPLE DOOR 11 1/2" X 14" | 44 |
| SDICO3-2 | CATALINA OLMO 3 SAMPLE DOOR 11 1/2" X 14" | 44 |
| SDIC-2 COMO ASH 1 | CATALINA COMO ASH 1 SAMPLE DOOR 11 1/2" X 14" | 44 |
| SDIC-2 FRAPPE 1 | CATALINA FRAPPE 1 SAMPLE DOOR 11 1/2" X 14" | 44 |
| SDIC-2 ICE CREAM 1 | CATALINA ICECREAM 1 SAMPLE DOOR 11 1/2" X 14" | 44 |
| SDIC-2 IDA 1 | CATALINA IDA 1 SAMPLE DOOR 11 1/2" X 14" | 44 |
| SDIC-2 IDA 2 | CATALINA IDA 2 SAMPLE DOOR 11 1/2" X 14" | 44 |
| SDIC-2 NOCCE 1 | CATALINA NOCCE 1 SAMPLE DOOR 11 1/2" X 14" | 44 |
| SDIC-2 ROSALES 1 | CATALINA ROSALES 1 SAMPLE DOOR 11 1/2" X 14" | 44 |
| SDIC-2 ROSALES 2 | CATALINA ROSALES 2 SAMPLE DOOR 11 1/2" X 14" | 44 |
| SDIC-2 ROSALES 3 | CATALINA ROSALES 3 SAMPLE DOOR 11 1/2" X 14" | 44 |
| SDIC-2 WOODLINE 1 | CATALINA WOODLINE 1 SAMPLE DOOR 11 1/2" X 14" | 44 |
| SDIC-2 WOODLINE 3 | CATALINA WOODLINE 3 SAMPLE DOOR 11 1/2" X 14" | 44 |
| SDIC-2 WOODLINE 4 | CATALINA WOODLINE 4 SAMPLE DOOR 11 1/2" X 14" | 44 |
| SDIC-2 AGUA MARINA G | CATALINA AGUA MARINA GLOSS SAMPLE DOOR 11 1/2" X 14" | 44 |
| SDIC-2 AZUL INDIGO G | CATALINA AZUL INDIGO GLOSS SAMPLE DOOR 11 1/2" X 14" | 44 |
| SDIC-2 AZUL MARINO G | CATALINA AZUL MARINO GLOSS SAMPLE DOOR 11 1/2" X 14" | 44 |
| SDIC-2 BLACK G | CATALINA BLACK GLOSS SAMPLE DOOR 11 1/2" X 14" | 44 |
| SDIC-2 BLANCO G | CATALINA BLANCO GLOSS SAMPLE DOOR 11 1/2" X 14" | 44 |
| SDIC-2 CASHMERE G | CATALINA CASHMERE GLOSS SAMPLE DOOR 11 1/2" X 14" | 44 |
| SDIC-2 EUROLINE G | CATALINA EUROLINE GLOSS SAMPLE DOOR 11 1/2" X 14" | 44 |
| SDIC-2 GRIS NUBE G | CATALINA GRIS NUBE GLOSS SAMPLE DOOR 11 1/2" X 14" | 44 |
| SDIC-2 GUAYANA G | CATALINA GUAYANA GLOSS SAMPLE DOOR 11 1/2" X 14" | 44 |
| SDIC-2 METALLO 1 G | CATALINA METALLO 1 GLOSS SAMPLE DOOR 11 1/2" X 14" | 44 |
| SDIC-2 METALLO 4 G | CATALINA METALLO 4 GLOSS SAMPLE DOOR 11 1/2" X 14" | 44 |
| SDIC-2 OLIVO G | CATALINA OLIVO GLOSS SAMPLE DOOR 11 1/2" X 14" | 44 |
| SDIC-2 TEXTIL PLATA G | CATALINA TEXTIL PLATA GLOSS SAMPLE DOOR 11 1/2" X 14" | 44 |
| SDIC-2 AGUA MARINA M | CATALINA AGUA MARINA MATTE SAMPLE DOOR 11 1/2" X 14" | 44 |
| SDIC-2 ANTRACITA M | CATALINA ANTRACITA MATTE SAMPLE DOOR 11 1/2" X 14" | 44 |
| SDIC-2 AZUL INDIGO M | CATALINA AZUL INDIGO MATTE SAMPLE DOOR 11 1/2" X 14" | 44 |
| SDIC-2 AZUL MARINO M | CATALINA AZUL MARINO MATTE SAMPLE DOOR 11 1/2" X 14" | 44 |
| SDIC-2 BASALTO M | CATALINA BASALTO MATTE SAMPLE DOOR 11 1/2" X 14" | 44 |
| SDIC-2 BLACK M | CATALINA BLACK MATTE SAMPLE DOOR 11 1/2" X 14" | 44 |
| SDIC-2 BLANCO M | CATALINA BLANCO MATTE SAMPLE DOOR 11 1/2" X 14" | 44 |
| SDIC-2 CASHMERE M | CATALINA CASHMERE MATTE SAMPLE DOOR 11 1/2" X 14" | 44 |
| SDIC-2 GRIS PLOMO M | CATALINA GRIS PLOMO MATTE SAMPLE DOOR 11 1/2" X 14" | 44 |
| SDIC-2 VERDE SALVIA M | CATALINA VERDE SALVIA MATTE SAMPLE DOOR 11 1/2" X 14" | 44 |

Pricing Note: Sales Tools are NET pricing; virtual multiplier applies to these items. Final price listed on Quote/Order will reflect the virtual multiplier.

Sample Doors

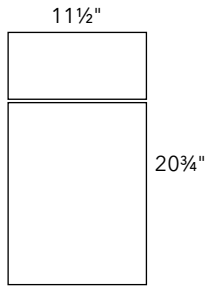


TUSCANY SMALL DOOR SAMPLES

| ITEM | DESCRIPTION | NET PRICE |
|-----------------------|--|-----------|
| SDIT-2 COMO ASH 1 | TUSCANY COMO ASH 1 SAMPLE DOOR 11 1/2" X 14" | 55 |
| SDIT-2 COMO ASH 2 | TUSCANY COMO ASH 2 SAMPLE DOOR 11 1/2" X 14" | 55 |
| SDIT-2 FRAPPE 1 | TUSCANY FRAPPE 1 SAMPLE DOOR 11 1/2" X 14" | 55 |
| SDIT-2 IDA 1 | TUSCANY IDA 1 SAMPLE DOOR 11 1/2" X 14" | 55 |
| SDIT-2 IDA 2 | TUSCANY IDA 2 SAMPLE DOOR 11 1/2" X 14" | 55 |
| SDIT-2 MURATTI 1 | TUSCANY MURATTI 1 SAMPLE DOOR 11 1/2" X 14" | 55 |
| SDIT-2 MURATTI 4 | TUSCANY MURATTI 4 SAMPLE DOOR 11 1/2" X 14" | 55 |
| SDIT-2 NOCCE 1 | TUSCANY NOCCE 1 SAMPLE DOOR 11 1/2" X 14" | 55 |
| SDIT-2 NOCCE 3 | TUSCANY NOCCE 3 SAMPLE DOOR 11 1/2" X 14" | 55 |
| SDIT-2 OLMO 3 | TUSCANY OLMO 3 SAMPLE DOOR 11 1/2" X 14" | 55 |
| SDIT-2 ROSALES 2 | TUSCANY ROSALES 2 SAMPLE DOOR 11 1/2" X 14" | 55 |
| SDIT-2 ROSALES 3 | TUSCANY ROSALES 3 SAMPLE DOOR 11 1/2" X 14" | 55 |
| SDIT-2 WOODLINE 1 | TUSCANY WOODLINE 1 SAMPLE DOOR 11 1/2" X 14" | 55 |
| SDIT-2 WOODLINE 3 | TUSCANY WOODLINE 3 SAMPLE DOOR 11 1/2" X 14" | 55 |
| SDIT-2 ANTRACITA M | TUSCANY ANTRACITA MATTE SAMPLE DOOR 11 1/2" X 14" | 55 |
| SDIT-2 AZUL INDIGO M | TUSCANY AZUL INDIGO MATTE SAMPLE DOOR 11 1/2" X 14" | 55 |
| SDIT-2 AZUL MARINO M | TUSCANY AZUL MARINO MATTE SAMPLE DOOR 11 1/2" X 14" | 55 |
| SDIT-2 BASALTO M | TUSCANY BASALTO MATTE SAMPLE DOOR 11 1/2" X 14" | 55 |
| SDIT-2 BLANCO M | TUSCANY BLANCO MATTE SAMPLE DOOR 11 1/2" X 14" | 55 |
| SDIT-2 CASHMERE M | TUSCANY CASHMERE MATTE SAMPLE DOOR 11 1/2" X 14" | 55 |
| SDIT-2 VERDE SALVIA M | TUSCANY VERDE SALVIA MATTE SAMPLE DOOR 11 1/2" X 14" | 55 |

Pricing Note: Sales Tools are NET pricing; virtual multiplier applies to these items. Final price listed on Quote/Order will reflect the virtual multiplier.

Sample Doors

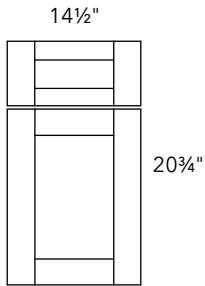


CATALINA MEDIUM DOOR SAMPLES WITH DRAWER FRONT

| ITEM | DESCRIPTION | NET PRICE |
|-----------------------|---|-----------|
| SDICBG-3 | CATALINA BIANCO GLOSS SAMPLE DOOR 11 1/2" X 20" | 56 |
| SDICGG-3 | CATALINA GRIGIO GLOSS SAMPLE DOOR 11 1/2" X 20" | 56 |
| SDICBM-3 | CATALINA BIANCO MATTE SAMPLE DOOR 11 1/2" X 20" | 56 |
| SDICCM-3 | CATALINA CARBONE MATTE SAMPLE DOOR 11 1/2" X 20" | 56 |
| SDICC2-3 | CATALINA COMO ASH 2 SAMPLE DOOR 11 1/2" X 20" | 56 |
| SDICM1-3 | CATALINA MURATTI 1 SAMPLE DOOR 11 1/2" X 20" | 56 |
| SDICM4-3 | CATALINA MURATTI 4 SAMPLE DOOR 11 1/2" X 20" | 56 |
| SDICN3-3 | CATALINA NOCCE 3 SAMPLE DOOR 11 1/2" X 20" | 56 |
| SDICO3-3 | CATALINA OLMO 3 SAMPLE DOOR 11 1/2" X 20" | 56 |
| SDIC-3 COMO ASH 1 | CATALINA COMO ASH 1 SAMPLE DOOR 11 1/2" X 20" | 56 |
| SDIC-3 FRAPPE 1 | CATALINA FRAPPE 1 SAMPLE DOOR 11 1/2" X 20" | 56 |
| SDIC-3 ICE CREAM 1 | CATALINA ICECREAM 1 SAMPLE DOOR 11 1/2" X 20" | 56 |
| SDIC-3 IDA 1 | CATALINA IDA 1 SAMPLE DOOR 11 1/2" X 20" | 56 |
| SDIC-3 IDA 2 | CATALINA IDA 2 SAMPLE DOOR 11 1/2" X 20" | 56 |
| SDIC-3 NOCCE 1 | CATALINA NOCCE 1 SAMPLE DOOR 11 1/2" X 20" | 56 |
| SDIC-3 ROSALES 1 | CATALINA ROSALES 1 SAMPLE DOOR 11 1/2" X 20" | 56 |
| SDIC-3 ROSALES 2 | CATALINA ROSALES 2 SAMPLE DOOR 11 1/2" X 20" | 56 |
| SDIC-3 ROSALES 3 | CATALINA ROSALES 3 SAMPLE DOOR 11 1/2" X 20" | 56 |
| SDIC-3 WOODLINE 1 | CATALINA WOODLINE 1 SAMPLE DOOR 11 1/2" X 20" | 56 |
| SDIC-3 WOODLINE 3 | CATALINA WOODLINE 3 SAMPLE DOOR 11 1/2" X 20" | 56 |
| SDIC-3 WOODLINE 4 | CATALINA WOODLINE 4 SAMPLE DOOR 11 1/2" X 20" | 56 |
| SDIC-3 AGUA MARINA G | CATALINA AGUA MARINA GLOSS SAMPLE DOOR 11 1/2" X 20" | 56 |
| SDIC-3 AZUL INDIGO G | CATALINA AZUL INDIGO GLOSS SAMPLE DOOR 11 1/2" X 20" | 56 |
| SDIC-3 AZUL MARINO G | CATALINA AZUL MARINO GLOSS SAMPLE DOOR 11 1/2" X 20" | 56 |
| SDIC-3 BLACK G | CATALINA BLACK GLOSS SAMPLE DOOR 11 1/2" X 20" | 56 |
| SDIC-3 BLANCO G | CATALINA BLANCO GLOSS SAMPLE DOOR 11 1/2" X 20" | 56 |
| SDIC-3 CASHMERE G | CATALINA CASHMERE GLOSS SAMPLE DOOR 11 1/2" X 20" | 56 |
| SDIC-3 EUROLINE G | CATALINA EUROLINE GLOSS SAMPLE DOOR 11 1/2" X 20" | 56 |
| SDIC-3 GRIS NUBE G | CATALINA GRIS NUBE GLOSS SAMPLE DOOR 11 1/2" X 20" | 56 |
| SDIC-3 GUAYANA G | CATALINA GUAYANA GLOSS SAMPLE DOOR 11 1/2" X 20" | 56 |
| SDIC-3 METALLO 1 G | CATALINA METALLO 1 GLOSS SAMPLE DOOR 11 1/2" X 20" | 56 |
| SDIC-3 METALLO 4 G | CATALINA METALLO 4 GLOSS SAMPLE DOOR 11 1/2" X 20" | 56 |
| SDIC-3 OLIVO G | CATALINA OLIVO GLOSS SAMPLE DOOR 11 1/2" X 20" | 56 |
| SDIC-3 TEXTIL PLATA G | CATALINA TEXTIL PLATA GLOSS SAMPLE DOOR 11 1/2" X 20" | 56 |
| SDIC-3 AGUA MARINA M | CATALINA AGUA MARINA MATTE SAMPLE DOOR 11 1/2" X 20" | 56 |
| SDIC-3 ANTRACITA M | CATALINA ANTRACITA MATTE SAMPLE DOOR 11 1/2" X 20" | 56 |
| SDIC-3 AZUL INDIGO M | CATALINA AZUL INDIGO MATTE SAMPLE DOOR 11 1/2" X 20" | 56 |
| SDIC-3 AZUL MARINO M | CATALINA AZUL MARINO MATTE SAMPLE DOOR 11 1/2" X 20" | 56 |
| SDIC-3 BASALTO M | CATALINA BASALTO MATTE SAMPLE DOOR 11 1/2" X 20" | 56 |
| SDIC-3 BLACK M | CATALINA BLACK MATTE SAMPLE DOOR 11 1/2" X 20" | 56 |
| SDIC-3 BLANCO M | CATALINA BLANCO MATTE SAMPLE DOOR 11 1/2" X 20" | 56 |
| SDIC-3 CASHMERE M | CATALINA CASHMERE MATTE SAMPLE DOOR 11 1/2" X 20" | 56 |
| SDIC-3 GRIS PLOMO M | CATALINA GRIS PLOMO MATTE SAMPLE DOOR 11 1/2" X 20" | 56 |
| SDIC-3 VERDE SALVIA M | CATALINA VERDE SALVIA MATTE SAMPLE DOOR 11 1/2" X 20" | 56 |

Pricing Note: Sales Tools are NET pricing; virtual multiplier applies to these items. Final price listed on Quote/Order will reflect the virtual multiplier.

Sample Doors



TUSCANY MEDIUM DOOR SAMPLES WITH DRAWER FRONT

| ITEM | DESCRIPTION | NET PRICE |
|-----------------------|--|-----------|
| SDIT-3 COMO ASH 1 | TUSCANY COMO ASH 1 SAMPLE DOOR 11 1/2" X 20" | 72 |
| SDIT-3 COMO ASH 2 | TUSCANY COMO ASH 2 SAMPLE DOOR 11 1/2" X 20" | 72 |
| SDIT-3 FRAPPE 1 | TUSCANY FRAPPE 1 SAMPLE DOOR 11 1/2" X 20" | 72 |
| SDIT-3 IDA 1 | TUSCANY IDA 1 SAMPLE DOOR 11 1/2" X 20" | 72 |
| SDIT-3 IDA 2 | TUSCANY IDA 2 SAMPLE DOOR 11 1/2" X 20" | 72 |
| SDIT-3 MURATTI 1 | TUSCANY MURATTI 1 SAMPLE DOOR 11 1/2" X 20" | 72 |
| SDIT-3 MURATTI 4 | TUSCANY MURATTI 4 SAMPLE DOOR 11 1/2" X 20" | 72 |
| SDIT-3 NOCCE 1 | TUSCANY NOCCE 1 SAMPLE DOOR 11 1/2" X 20" | 72 |
| SDIT-3 NOCCE 3 | TUSCANY NOCCE 3 SAMPLE DOOR 11 1/2" X 20" | 72 |
| SDIT-3 OLMO 3 | TUSCANY OLMO 3 SAMPLE DOOR 11 1/2" X 20" | 72 |
| SDIT-3 ROSALES 2 | TUSCANY ROSALES 2 SAMPLE DOOR 11 1/2" X 20" | 72 |
| SDIT-3 ROSALES 3 | TUSCANY ROSALES 3 SAMPLE DOOR 11 1/2" X 20" | 72 |
| SDIT-3 WOODLINE 1 | TUSCANY WOODLINE 1 SAMPLE DOOR 11 1/2" X 20" | 72 |
| SDIT-3 WOODLINE 3 | TUSCANY WOODLINE 3 SAMPLE DOOR 11 1/2" X 20" | 72 |
| SDIT-3 ANTRACITA M | TUSCANY ANTRACITA MATTE SAMPLE DOOR 11 1/2" X 20" | 72 |
| SDIT-3 AZUL INDIGO M | TUSCANY AZUL INDIGO MATTE SAMPLE DOOR 11 1/2" X 20" | 72 |
| SDIT-3 AZUL MARINO M | TUSCANY AZUL MARINO MATTE SAMPLE DOOR 11 1/2" X 20" | 72 |
| SDIT-3 BASALTO M | TUSCANY BASALTO MATTE SAMPLE DOOR 11 1/2" X 20" | 72 |
| SDIT-3 BLANCO M | TUSCANY BLANCO MATTE SAMPLE DOOR 11 1/2" X 20" | 72 |
| SDIT-3 CASHMERE M | TUSCANY CASHMERE MATTE SAMPLE DOOR 11 1/2" X 20" | 72 |
| SDIT-3 VERDE SALVIA M | TUSCANY VERDE SALVIA MATTE SAMPLE DOOR 11 1/2" X 20" | 72 |

Pricing Note: Sales Tools are NET pricing; virtual multiplier applies to these items. Final price listed on Quote/Order will reflect the virtual multiplier.

Sales Tools



ILLUME MINI BASE SAMPLE

| ITEM | DESCRIPTION | NET PRICE |
|----------|---|-----------|
| ICBG MBS | Illume Catalina Bianco Gloss Mini Base Sample | 175 |

- Available in Catalina Bianco Gloss only
- Mini Base Dimensions: 12"W x 21"H x 15"D
- Mini Base is 21"H before attaching Adjustable Furniture Feet



METAL GLASS DOOR SALES TOOL KIT

| ITEM | DESCRIPTION | NET PRICE |
|----------------------------|--|-----------|
| METAL GLASS DOOR SALES KIT | METAL GLASS DOOR SALES TOOL KIT W/ SAMPLES | 220 |

- Sales kit includes four metal finishes, four unique profiles, and four glass color insert options.
 - » Metal Finishes: Onyx (Black Matte), Natural Aluminum, Brushed Stainless, and Gold.
 - » Profiles: FAB003, FAB004, FAB014, FAB017
 - » Glass Insert Colors: Clear, Satin, Bronze Clear, Grey Clear



SAMPLE DOOR BAG

| ITEM | DESCRIPTION | NET PRICE |
|-----------------|------------------------|-----------|
| SAMPLE DOOR BAG | PADDED SAMPLE DOOR BAG | 260 |

- Accommodates 4 large sample doors

Pricing Note: Sales Tools are NET pricing; virtual multiplier applies to these items. Final price listed on Quote/Order will reflect the virtual multiplier.

Sales Tools

SAMPLE DOOR STAND



| ITEM | DESCRIPTION | NET PRICE |
|-------------------|---------------------------|-----------|
| SAMPLE DOOR STAND | SAMPLE DOOR DISPLAY STAND | 88 |

- Stand can be easily unassembled and re-assembled for storage or portability to trade shows
- Sample Door Display stand can hold up to nine sample doors
- Will accommodate sizing for all door styles



SAMPLE TOWER

| ITEM | DESCRIPTION | NET PRICE |
|----------------|------------------------------|-----------|
| IDC SAMPLE SET | ILLUME DESIGNER SAMPLE TOWER | 985 |

- Black Metal Frame with Illume Logo Sign
- Includes 40 (6"x12"x3/4") Illume Designer Collection sample blocks

Pricing Note: Sales Tools are NET pricing; virtual multiplier applies to these items. Final price listed on Quote/Order will reflect the virtual multiplier.

Sales Tools



SELLING CENTER

| ITEM | DESCRIPTION | NET PRICE |
|-----------------------|------------------------------------|-----------|
| DEALER SELLING CENTER | FABUWOOD SELLING CENTER | 1910 |
| ACRYLIC LOGO 38X8 | FABUWOOD ACRYLIC LOGO DISPLAY SIGN | 105 |

Fabuwood Selling Center Display comes with:

- three (3) Base Cabinets, 12"W x 16" x
- FSC B12 include the following finishes: Illume Catalina Bianco Gloss, Allure Galaxy Nickel, & Quest Discovery Frost
- Full set of Large Sample Doors
- One of each molding chain for Allure, Quest
- Includes one Box set each of Color Blocks and Designer Collection Color Blocks
- Digital Brochure Keychains (Pack of 25)
- Pack of 25 Style Guide Brochures
- Acrylic Logo Sign included and available for separate purchase



Fabuwood Logo Sign:

- Now available as a stand-alone item for endless display options. Hang our sign amongst a gallery wall of Fabuwood Sample Doors, or pair with a Fabuwood vignette to create a unique Selling Center tailored to your individual showroom style.
- Acrylic sign predrilled with decorative chrome plated standoffs included.



SELLING STUDIO

| ITEM | DESCRIPTION | NET PRICE |
|-----------------------|-------------------------|-----------|
| DEALER SELLING STUDIO | FABUWOOD SELLING STUDIO | 8720 |

Fabuwood Selling Studio Display includes:

- Interactive Touch Monitor
- 32 Medium-Size Sample Doors
- 18 Mini Sample Doors
- Molding Chains in Allure & Quest
- Color Block Sets for Signature, Designer Collection & Illume
- Style Guide Brochures (Pack of 25)
- Wall and Base Mini Cabinets in Illume and Allure Constructions
- Fabuwood Logo Windows
- Remote Control Operated Lift-Up Top Door
- Storage Drawer

Custom Base Cabinets:

- (1) 18" Drawer Base Cabinet with a modified depth of 18"
- (2) 18" Base Cabinet with a modified depth of 18"

Pricing Note: Sales Tools are NET pricing; virtual multiplier applies to these items. Final price listed on Quote/Order will reflect the virtual multiplier.

Sales Tools



COLOR BLOCKS

| ITEM | DESCRIPTION | NET PRICE |
|--------------------|---------------------------------|-----------|
| ILLUME COLOR BLOCK | BOX OF COLOR BLOCKS FOR ILLUME | 44 |
| CS-BIANCO GLOSS | BIANCO GLOSS LOOSE COLOR BLOCK | 9 |
| CS-BIANCO MATTE | BIANCO MATTE LOOSE COLOR BLOCK | 9 |
| CS-GRIGIO GLOSS | GRIGIO GLOSS LOOSE COLOR BLOCK | 9 |
| CS-CARBONE MATTE | CARBONE MATTE LOOSE COLOR BLOCK | 9 |

Illume Color Block:

- Set of 4 Illume Color Blocks: Bianco Matte, Bianco Gloss, Carbone Matte, Grigio Gloss



SAMPLE PACKAGES

| ITEM | DESCRIPTION | NET PRICE |
|----------------------|----------------------------|-----------|
| SMALL SAMPLE PACKAGE | SMALL SAMPLE PACKAGE | 820 |
| DEALER PACKAGE | LITERATURE AND ACCESSORIES | 1090 |

Small Sample Package:

- Full Set of Small Sample Doors (door is 11-1/2" x 14"H)

Dealer Package:

- Full set of Large Sample Doors (includes Door & Drawer Front)
- One of each molding chain for Allure, Quest
- Box of Color Blocks
- Digital Brochure Keychains (Pack of 25)



DIGITAL BROCHURE

| ITEM | DESCRIPTION | NET PRICE |
|---------------------|------------------|-----------|
| DIGITAL BROCHURE QR | QR CODE KEY RING | 27 |

- Pack of 25 Key Rings

Pricing Note: Sales Tools are NET pricing; virtual multiplier applies to these items. Final price listed on Quote/Order will reflect the virtual multiplier.

Sales Tools



STYLE GUIDE

| ITEM | DESCRIPTION | NET PRICE |
|------|----------------------------------|-----------|
| SG25 | STYLE GUIDE BROCHURE 2025 (25PK) | 135 |

- 80 pages, 8" x 8"
- Fabuwood's Style Guide showcases an extensive range of customizations and design possibilities. Featuring hoods, vanities, door styles, color collections, and more, it offers everything needed to create unique and personalized spaces



ACCESSORY BROCHURE

| ITEM | DESCRIPTION | NET PRICE |
|--------------------|---------------------------------|-----------|
| ACCESSORY BROCHURE | ACCESSORY BROCHURE (PACK OF 25) | 110 |

- 28 pages, 8-1/2" x 11"
- Fabuwood's Accessory Brochure



CUSTOMIZATION BROCHURE

| ITEM | DESCRIPTION | NET PRICE |
|------------------------|-------------------------------------|-----------|
| CUSTOMIZATION BROCHURE | CUSTOMIZATION BROCHURE (PACK OF 25) | 110 |

- 50 pages, 8-1/2" x 11"
- Fabuwood's Customization Brochure

Modifications

CUT ITEMS

| ITEM | DESCRIPTION | LIST |
|-------------------------|--|------|
| * CUT WIDTH-BASE | reduce width of base cabinet to ----- "wide | 610 |
| * CUT WIDTH-TALL | reduce width of tall cabinet to ----- "wide | 850 |
| * CUT WIDTH-WALL | reduce width of wall cabinet to ----- "wide | 480 |
| CUT-BASE | Reduce depth of base cabinet | 445 |
| CUT-COLUMN | reduce depth of column to ----- "deep | 320 |
| CUT-DBASE | Reduce depth of drawer base cabinet | 615 |
| * CUT-PANEL | Cut down a panel to any size | 110 |
| CUT-ROD | Reduce depth of rollout drawer | 140 |
| CUT-SBASE | Reduce depth of sink base cabinet | 295 |
| CUT-TALL | Reduce depth of tall cabinet | 855 |
| CUT-WALL | Reduce depth of wall cabinet | 375 |
| CUT-RETURN WIDTH | Reduce width of 3" reutrn | 100 |
| CUT-BASE HEIGHT | Reduce height of base cabinet by removing top drawer | 310 |
| CUT 2" FROM 96" MOLDING | Reduce length of molding to 94" | 60 |

* Not available for Illume Designer Collection. Email customquotes@fabuwood.com for custom quote.

PIPE CHASE

| ITEM | DESCRIPTION | LIST |
|--------------|---|------|
| CHASE-BASE | Make chase in base cabinet (must supply a drawing) | 865 |
| CHASE-CORNER | Make chase in corner cabinet ----x---- (WDC, WPC, ERB only) | 1715 |
| CHASE-DBASE | Make chase in drawer cabinet (must supply drawing) | 1245 |
| CHASE-TALL | Make chase in tall cabinet (must supply a drawing) | 1295 |
| CHASE-WALL | Make chase in wall cabinet (must supply a drawing) | 465 |

Must supply a drawing for all chase modifications.

Notice regarding Illume Customizations:

Any customizations for the Illume Frameless line are manufactured and assembled in our Newark Manufacturing facility and will not include the Threespine® Click Technology.

Modifications

CUSTOMIZATIONS

| ITEM | DESCRIPTION | LIST |
|----------------------|---|-------------|
| HAMPER | Install door mounted pull out wood hamper in cabinet | 775 |
| INCREASE-BASE | Increase depth on base cabinet. | per sq. in. |
| INCREASE-TALL | Increase depth on tall cabinet. | per sq. in. |
| INCREASE-WALL | Increase depth on wall cabinet. | per sq. in. |
| INSTALL-ACCES | Install any accessory in a cabinet (accessories not included) | per sq. in. |
| PUSH TO OPEN DOORS | Install BLUM Tip-On Latch for push-to-open door(s) | TBD |
| PUSH TO OPEN DRAWERS | Install BLUM Tip-On Slides for push-to-open drawer(s) | TBD |
| REMOVE DRAWER | Remove cabinet drawer to create sink base | 32 |
| FINISHED END-BASE | Apply laminate skin to side of base cabinet | 145 |
| FINISHED END-WALL | Apply laminate skin to side of wall cabinet | 110 |
| FINISHED END-TALL | Apply laminate skin to side of tall cabinet | 250 |
| EBAND-MATCH BOX | Apply matching color edge-band to cabinet carcass | 10% |
| EBAND-MATCH SHELF | Apply matching color edge-band to adjustable shelves | 5% |
| CREATE-BMC | Create Base Microwave Cabinet | 390 |
| CREATE-BOC | Create Base Oven Cabinet | 505 |
| MATCH-INTERIOR | Finish interior of cabinet to match exterior | TBD |
| BOXCAP | Add BOXCAP to lower MERIVOBX drawer | TBD |
| EXTENDED DOOR | Extend doors to overhang 1-1/2" or 3/4" below cabinet box | TBD |
| CONNECT DOORS | Connect doors of tall cabinet with dowels to create one larger door | 160 |
| EDGE BAND | Apply edge band on selected side of panel | 99 |
| INCREASE-PANEL | Increase depth of DWR in 1/4" increments. | 110 |

NOTE: Increased depth of Rollout drawers are by custom request only and are not included in INCREASE-BASE, INCREASE-TALL, and INCREASE-WALL modifications. Email customquotes@fabuwood.com for custom quote.

Notice regarding Illume Customizations:

Any customizations for the Illume Frameless line are manufactured and assembled in our Newark Manufacturing facility and will not include the Threespine® Click Technology.

Loose Parts

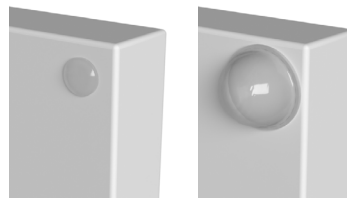
LOOSE PARTS

| ITEM | DESCRIPTION | LIST |
|---------------------------|--|------|
| EDGE-BAND | Additional Edge Banding (price per linear foot) | 11 |
| EDGE-BAND LINEN-CARCASS | Illume Interior Linen Edgeband (price per linear foot) | 11 |
| ITKL-4 | Illume Toe Kick Leg (Pack of 4 Legs and 4 Clips) | 17 |
| PROTECTIVE FILM ERASER | Eraser to remove Illume protective film | 12 |
| BP-ILLUME | BUMPER PADS FOR ILLUME DOORS | 1.13 |
| BP-ILLUME WDC | BUMPER PADS FOR ILLUME DIAGONAL DOORS | 1.13 |
| BLUM-ILLUME RES CLIP 10PK | PACK OF 10 BLUM ILLUME ANGLE RESTRICTION CLIP | 34 |

- Protective Film Eraser removes adhesive residue on cabinet finish
- Bumper Pads
 - Clear Polyurethane with Peel-Off Application
 - Sound, Vibration, and Shock Dampening
- BP-ILLUME: Compatible with Illume Standard Doors
- BP-ILLUME WDC: Compatible with WDC, DSB, DSF Diagonal Doors
- Illume Angle Restrictor Clip:
 - BLUM Angle Restriction Clip for Illume CLIP-ON BLUMOTION Hinges.
 - Reduces swing from 110-deg to 86-deg
 - One clip required per every two hinges. For a 30" high door, use 1 clip. For 36" to 42" high Door, use 2 clips.



PROTECTIVE FILM ERASER



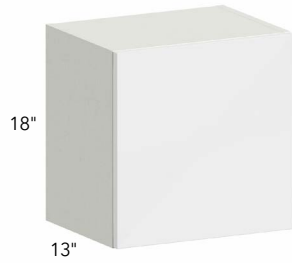
BP-ILLUME

BP-ILLUME WDC



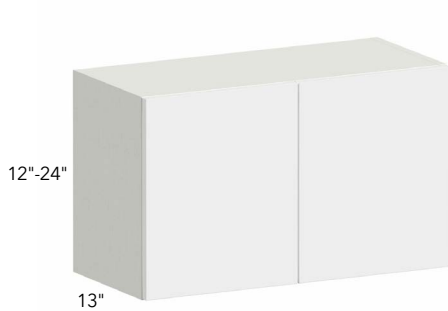
BLUM-ILLUME RES CLIP

12" - 24" High Wall Cabinets



SINGLE DOOR

| ITEM | R | T |
|-------|-----|-----|
| W1218 | 515 | 495 |
| W1518 | 520 | 500 |
| W1818 | 530 | 495 |
| W2118 | 535 | 510 |

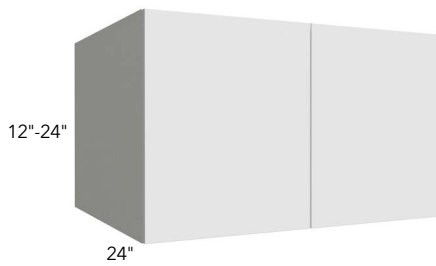


DOUBLE DOOR

| ITEM | R | T |
|---------|-----|-----|
| W2412 | 515 | 465 |
| W3012 | 505 | 455 |
| W3312 | 530 | 480 |
| W3612 | 530 | 480 |
| W3015 | 530 | 480 |
| W3315 | 555 | 500 |
| W3615 | 555 | 500 |
| W2718 | 685 | 630 |
| W3018 | 555 | 500 |
| W3318 | 575 | 520 |
| W3618 | 590 | 535 |
| W2421 | 650 | 595 |
| W3021 | 665 | 635 |
| W3321 | 700 | 660 |
| W3621 | 720 | 680 |
| * W3024 | 645 | 585 |
| * W3324 | 685 | 620 |
| * W3624 | 705 | 635 |

* Includes one adjustable shelf

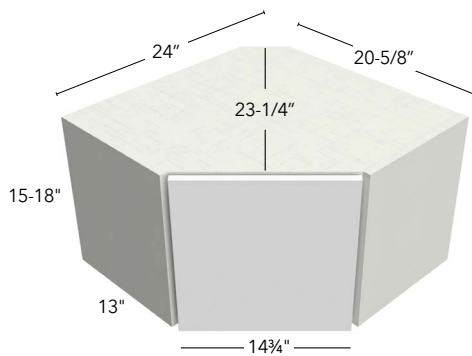
12" - 24" High & 24" Deep Wall Cabinets



24" DEEP

| ITEM | R | T |
|-----------|-----|-----|
| W301224 | 595 | 540 |
| W331224 | 620 | 560 |
| W361224 | 640 | 580 |
| W301824 | 660 | 595 |
| W331824 | 690 | 625 |
| W361824 | 710 | 640 |
| W302124 | 780 | 655 |
| W332124 | 820 | 750 |
| W362124 | 890 | 810 |
| * W242424 | 720 | 650 |
| * W302424 | 800 | 720 |
| * W332424 | 845 | 765 |
| * W362424 | 915 | 825 |

* Includes one adjustable shelf

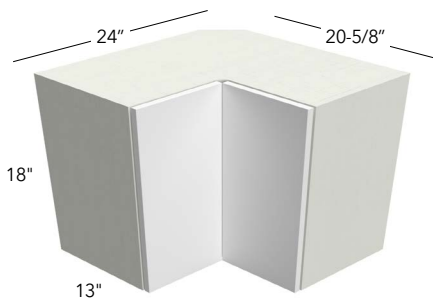


DIAGONAL CORNER

| ITEM | R | T |
|---------|-----|-----|
| WDC2415 | 635 | 575 |
| WDC2418 | 660 | 595 |

- 9mm thick door bumper

Note: Need to indicate R or L at time of order



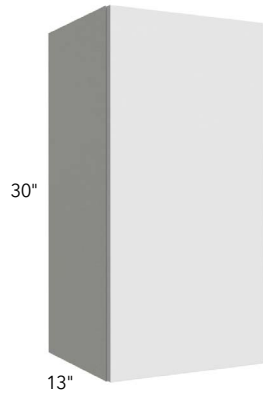
PIE CUT CORNER

| ITEM | R | T |
|---------|-----|-----|
| WPC2418 | 620 | 560 |

- Soft close hinge not available

Note: Need to indicate R or L at time of order

30" High Wall Cabinets

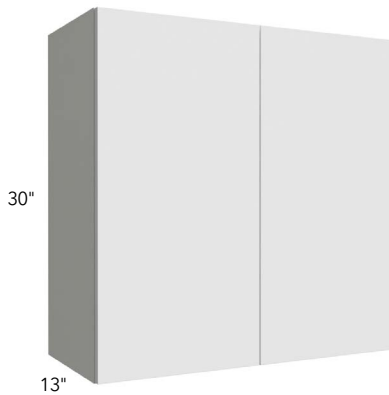


SINGLE DOOR

| ITEM | R | T |
|---------|-----|-----|
| W0930 | 440 | 400 |
| W1230 | 455 | 410 |
| W1530 | 480 | 435 |
| W1830 | 520 | 470 |
| W2130 | 545 | 495 |
| W2430SD | 645 | 585 |

- Includes two adjustable shelves

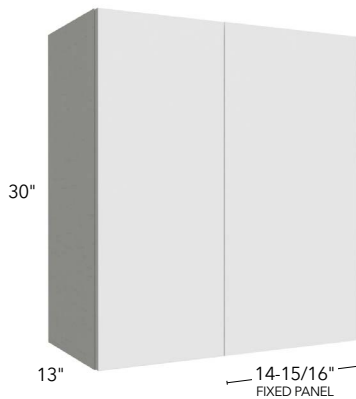
Note: Need to indicate R or L at time of order



DOUBLE DOOR

| ITEM | R | T |
|-------|-----|-----|
| W2430 | 655 | 590 |
| W2730 | 695 | 630 |
| W3030 | 725 | 655 |
| W3330 | 760 | 685 |
| W3630 | 795 | 720 |

- Includes two adjustable shelves



BLIND RIGHT SHOWN

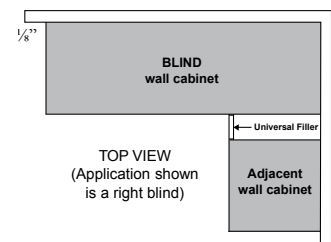
SINGLE DOOR BLIND

| ITEM | R | T |
|---------|-----|-----|
| WBC2730 | 740 | 670 |
| WBC3030 | 770 | 695 |
| WBC3630 | 835 | 755 |

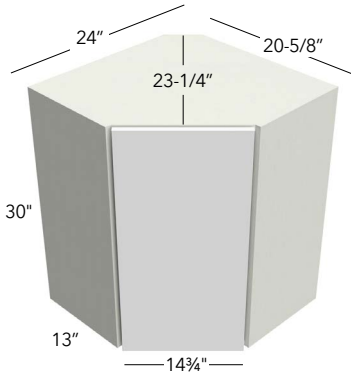
- Must use filler on adjacent side (not supplied)
- Dimensions are rounded off to nearest 1/16"
- Includes two adjustable shelves

Note: Need to indicate Blind Left or Blind Right at time of order

| | Act. | Door | Open (door side) |
|---------|------|---------|------------------|
| WBC2730 | 27" | 11-7/8" | 11-1/4" |
| WBC3030 | 30" | 14-7/8" | 14-1/4" |
| WBC3630 | 36" | 20-7/8" | 20-3/16" |



30" High Wall Cabinets

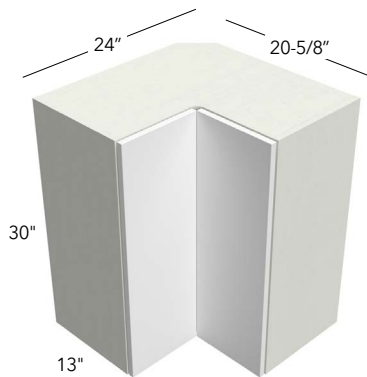


DIAGONAL CORNER

| ITEM | R | T |
|---------|-----|-----|
| WDC2430 | 865 | 780 |

- 9mm thick door bumper
- Includes two adjustable shelves

Note: Need to indicate R or L at time of order

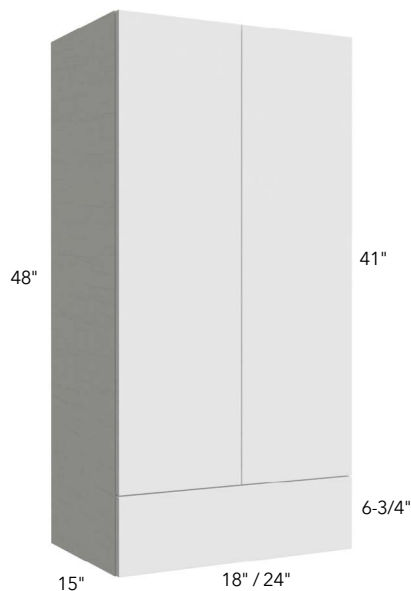


PIE CUT CORNER

| ITEM | R | T |
|---------|-----|-----|
| WPC2430 | 930 | 840 |

- Soft close hinge not available
- Includes two adjustable shelves

Note: Need to indicate R or L at time of order

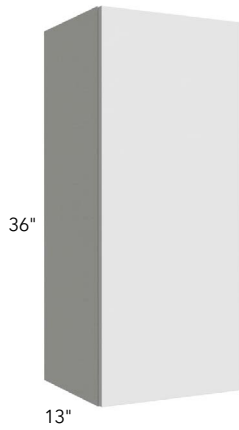


WALL WITH DRAWER

| ITEM | R | T |
|----------|------|------|
| * WD1848 | 1100 | 990 |
| WD2448 | 1305 | 1180 |

- * Has one door. Need to indicate R or L at time of order
- Includes two adjustable shelves

36" High Wall Cabinets

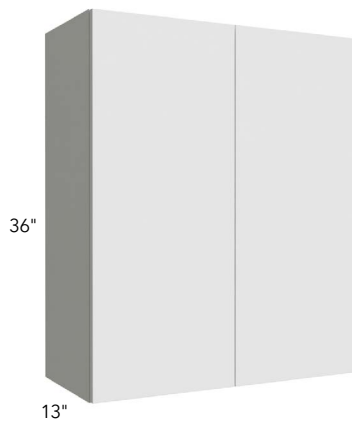


SINGLE DOOR

| ITEM | R | T |
|---------|-----|-----|
| W0936 | 480 | 435 |
| W1236 | 500 | 450 |
| W1536 | 535 | 485 |
| W1836 | 570 | 515 |
| W2136 | 605 | 545 |
| W2436SD | 710 | 640 |

- Includes two adjustable shelves

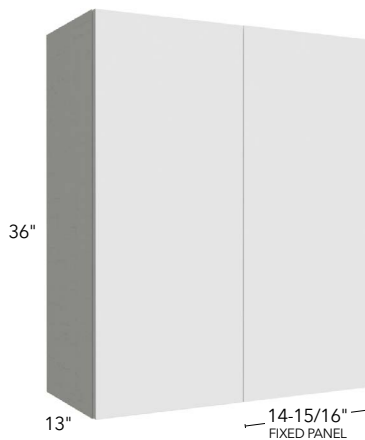
Note: Need to indicate R or L at time of order



DOUBLE DOOR

| ITEM | R | T |
|-------|-----|-----|
| W2436 | 755 | 680 |
| W2736 | 795 | 720 |
| W3036 | 830 | 750 |
| W3336 | 880 | 795 |
| W3636 | 920 | 830 |

- Includes two adjustable shelves



BLIND RIGHT SHOWN

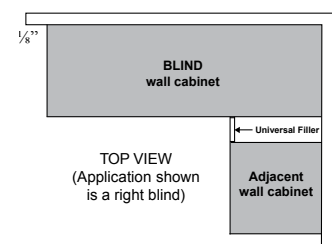
SINGLE DOOR BLIND

| ITEM | R | T |
|---------|-----|-----|
| WBC2736 | 815 | 735 |
| WBC3036 | 860 | 775 |
| WBC3636 | 930 | 840 |

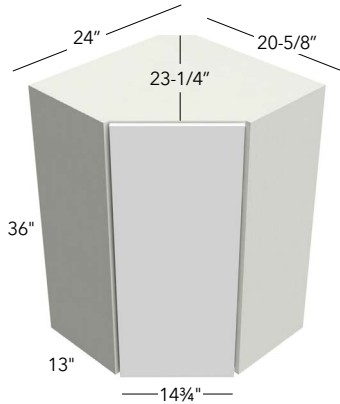
- Must use filler on adjacent side (not supplied)
- Dimensions are rounded off to nearest 1/16"
- Includes two adjustable shelves

Note: Need to indicate Blind Left or Blind Right at time of order

| | Act. | Door | Open (door side) |
|---------|------|---------|------------------|
| WBC2736 | 27" | 11-7/8" | 11-1/4" |
| WBC3036 | 30" | 14-7/8" | 14-1/4" |
| WBC3636 | 36" | 20-7/8" | 20-3/16" |



36" High Wall Cabinets

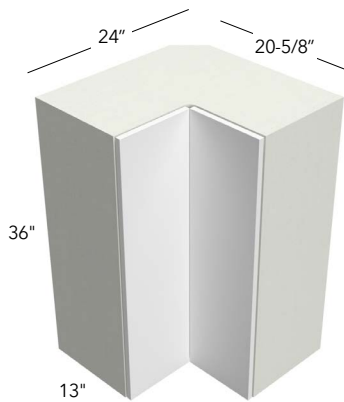


DIAGONAL CORNER

| ITEM | R | T |
|---------|-----|-----|
| WDC2436 | 940 | 845 |

- 9mm thick door bumper
- Includes two adjustable shelves

Note: Need to indicate R or L at time of order

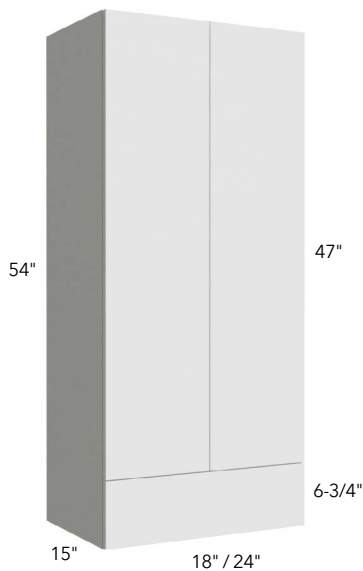


PIE CUT CORNER

| ITEM | R | T |
|---------|------|-----|
| WPC2436 | 1000 | 900 |

- Soft close hinge not available
- Includes two adjustable shelves

Note: Need to indicate R or L at time of order

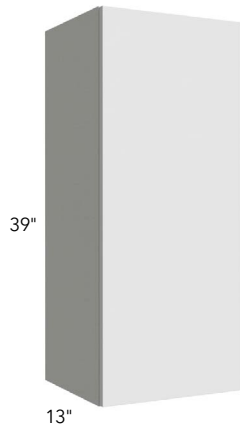


WALL WITH DRAWER

| ITEM | R | T |
|----------|------|------|
| * WD1854 | 1135 | 1025 |
| WD2454 | 1360 | 1230 |

- * Has one door. Need to indicate R or L at time of order
- Includes two adjustable shelves

39" High Wall Cabinets

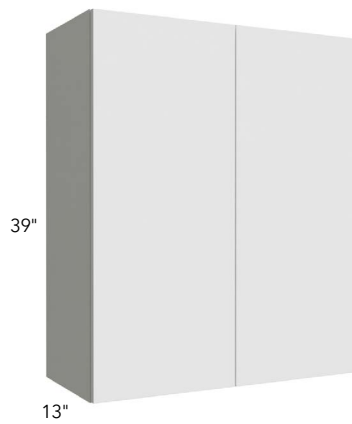


SINGLE DOOR

| ITEM | R | T |
|---------|-----|-----|
| W0939 | 555 | 500 |
| W1239 | 585 | 525 |
| W1539 | 620 | 565 |
| W1839 | 660 | 595 |
| W2139 | 720 | 645 |
| W2439SD | 755 | 680 |

- Includes two adjustable shelves

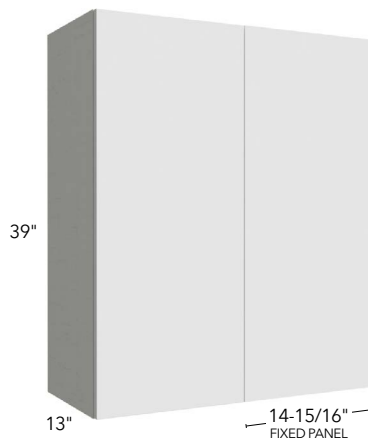
Note: Need to indicate R or L at time of order



DOUBLE DOOR

| ITEM | R | T |
|-------|------|-----|
| W2439 | 845 | 765 |
| W2739 | 890 | 805 |
| W3039 | 945 | 855 |
| W3339 | 995 | 895 |
| W3639 | 1040 | 935 |

- Includes two adjustable shelves



BLIND RIGHT SHOWN

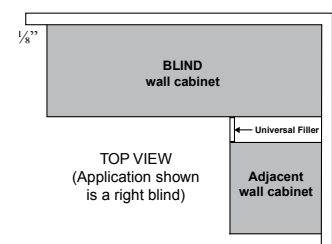
SINGLE DOOR BLIND

| ITEM | R | T |
|---------|------|-----|
| WBC2739 | 955 | 860 |
| WBC3039 | 1010 | 915 |
| WBC3639 | 1080 | 985 |

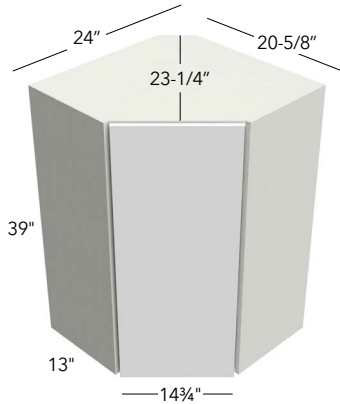
- Must use filler on adjacent side (not supplied)
- Dimensions are rounded off to nearest 1/16"
- Includes two adjustable shelves

Note: Need to indicate Blind Left or Blind Right at time of order

| | Act. | Door | Open (door side) |
|---------|------|---------|------------------|
| WBC2739 | 27" | 11-7/8" | 11-1/4" |
| WBC3039 | 30" | 14-7/8" | 14-1/4" |
| WBC3639 | 36" | 20-7/8" | 20-3/16" |



39" High Wall Cabinets

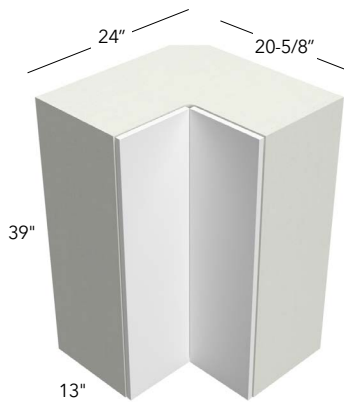


DIAGONAL CORNER

| ITEM | R | T |
|---------|-----|-----|
| WDC2439 | 995 | 890 |

- 9mm thick door bumper
- Includes two adjustable shelves

Note: Need to indicate R or L at time of order

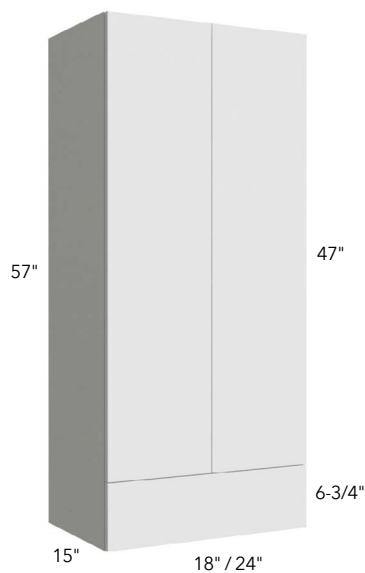


PIE CUT CORNER

| ITEM | R | T |
|---------|------|------|
| WPC2439 | 1180 | 1100 |

- Soft close hinge not available
- Includes two adjustable shelves

Note: Need to indicate R or L at time of order

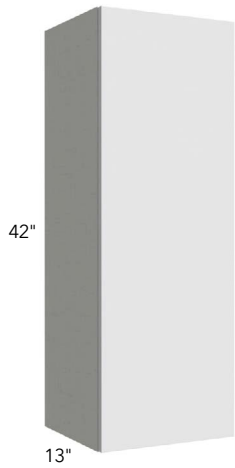


WALL WITH DRAWER

| ITEM | R | T |
|----------|------|------|
| * WD1857 | 1170 | 1055 |
| WD2457 | 1400 | 1260 |

- * Has one door. Need to indicate R or L at time of order
- Includes two adjustable shelves

42" High Wall Cabinets

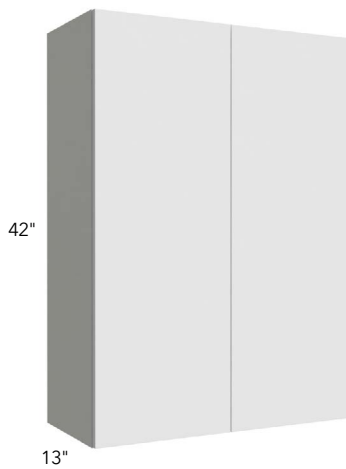


SINGLE DOOR

| ITEM | R | T |
|---------|-----|-----|
| W0942 | 515 | 465 |
| W1242 | 540 | 490 |
| W1542 | 580 | 525 |
| W1842 | 625 | 565 |
| W2142 | 665 | 600 |
| W2442SD | 785 | 710 |

- Includes three adjustable shelves

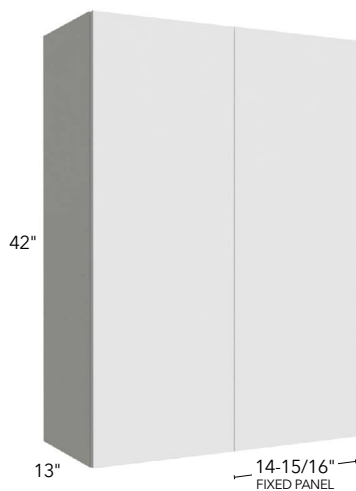
Note: Need to indicate R or L at time of order



DOUBLE DOOR

| ITEM | R | T |
|-------|------|-----|
| W2442 | 825 | 745 |
| W2742 | 865 | 780 |
| W3042 | 920 | 830 |
| W3342 | 960 | 865 |
| W3642 | 1005 | 905 |

- Includes three adjustable shelves



BLIND RIGHT SHOWN

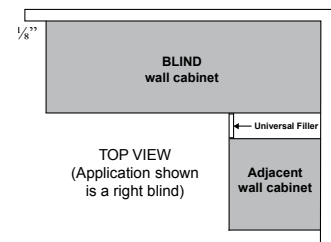
SINGLE DOOR BLIND

| ITEM | R | T |
|---------|------|-----|
| WBC2742 | 890 | 805 |
| WBC3042 | 935 | 845 |
| WBC3642 | 1020 | 920 |

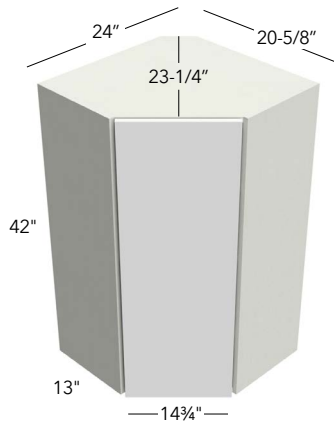
- Must use filler on adjacent side (not supplied)
- Dimensions are rounded off to nearest 1/16"
- Includes three adjustable shelves

Note: Need to indicate Blind Left or Blind Right at time of order

| | Act. | Door | Open (door side) |
|---------|------|---------|------------------|
| WBC2742 | 27" | 11-7/8" | 11-1/4" |
| WBC3042 | 30" | 14-7/8" | 14-1/4" |
| WBC3642 | 36" | 20-7/8" | 20-3/16" |



42" High Wall Cabinets

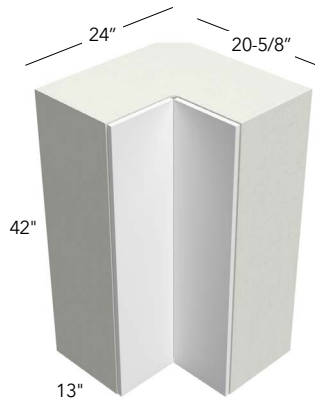


DIAGONAL CORNER

| ITEM | R | T |
|---------|------|-----|
| WDC2442 | 1050 | 945 |

- 9mm thick door bumper
- Includes three adjustable shelves

Note: Need to indicate R or L at time of order

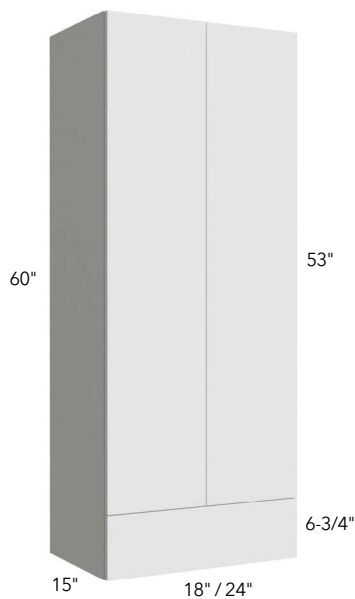


PIE CUT CORNER

| ITEM | R | T |
|---------|------|------|
| WPC2442 | 1125 | 1015 |

- Soft close hinge not available
- Includes three adjustable shelves

Note: Need to indicate R or L at time of order



WALL WITH DRAWER

| ITEM | R | T |
|----------|------|------|
| * WD1860 | 1180 | 1065 |
| WD2460 | 1415 | 1280 |

- * Has one door. Need to indicate R or L at time of order
- Includes three adjustable shelves

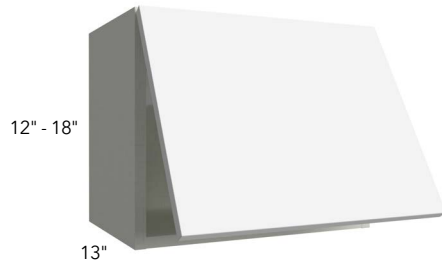
Specialty Wall Cabinets



WALL APPLIANCE

| ITEM | R | T |
|---------|------|------|
| WAC2418 | 1130 | 1020 |
| WAC3018 | 1180 | 1065 |
| WAC3318 | 1205 | 1085 |
| WAC3618 | 1225 | 1105 |

- Shipped with a support bracket to be removed before cabinet installation



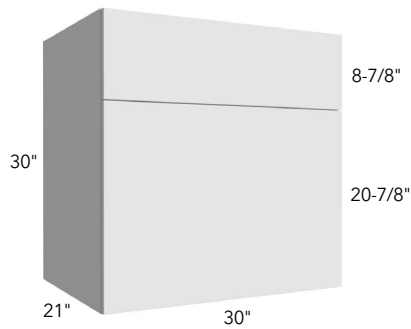
LIFT-UP

| ITEM | R | T |
|-------------|-----|-----|
| * W2412LU | 605 | 545 |
| W1815LU | 580 | 525 |
| W2115LU | 600 | 540 |
| W2415LU | 615 | 555 |
| W2715LU | 635 | 575 |
| W3015LU | 655 | 590 |
| W3315LU | 680 | 615 |
| W3615LU | 690 | 625 |
| W1818LU | 600 | 540 |
| W2118LU | 620 | 560 |
| W2418LU | 635 | 575 |
| W2718LU | 655 | 590 |
| W3018LU | 680 | 615 |
| W3318LU | 715 | 645 |
| W3618LU | 720 | 650 |
| * W421224LU | 750 | 680 |
| * W481224LU | 825 | 745 |

- * 24" depth



Microwave Wall Cabinets

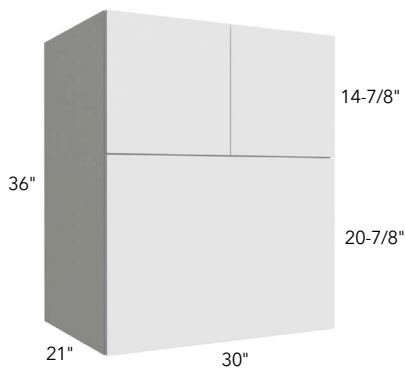


30" MICROWAVE

| ITEM | R | T |
|----------|-----|-----|
| MC303021 | 945 | 855 |

- Full closed front:
Max opening 28-1/2"W x 19-3/4"H
- Lift-up door with standard clip-on hinges
- Front panel attaches with clips for easy removal and install
- Additional Edge-Band available for purchase

Note: To avoid damage please apply extra care when cutting the front panel.



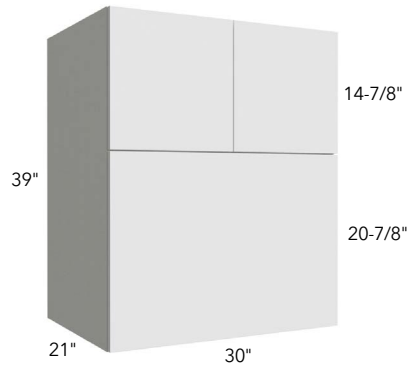
36" MICROWAVE

| ITEM | R | T |
|----------|------|-----|
| MC303621 | 1070 | 965 |

- Full closed front:
Max opening 28-1/2"W x 19-3/4"H
- Front panel attaches with clips for easy removal and install
- Additional Edge-Band available for purchase

Note: To avoid damage please apply extra care when cutting the front panel.

Microwave Wall Cabinets

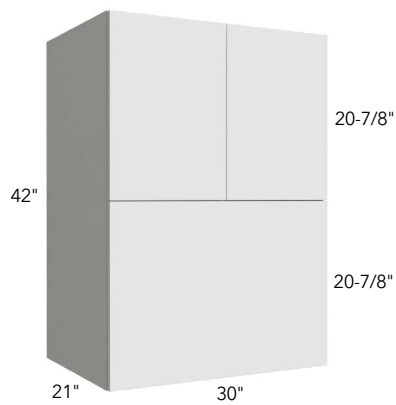


39" MICROWAVE

| ITEM | R | T |
|----------|------|------|
| MC303921 | 1145 | 1035 |

- Full closed front:
Max opening 28-1/2"W x 19-3/4"H
- Front panel attaches with clips for easy removal and install
- Additional Edge-Band available for purchase

Note: To avoid damage please apply extra care when cutting the front panel.



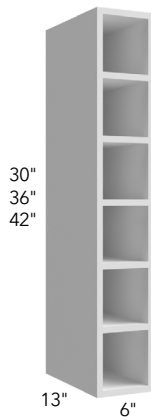
42" MICROWAVE

| ITEM | R | T |
|----------|------|------|
| MC304221 | 1210 | 1090 |

- Comes with 1 shelf
- Full closed front:
Max opening 28-1/2"W x 19-3/4"H
- Front panel attaches with clips for easy removal and install
- Additional Edge-Band available for purchase

Note: To avoid damage please apply extra care when cutting the front panel.

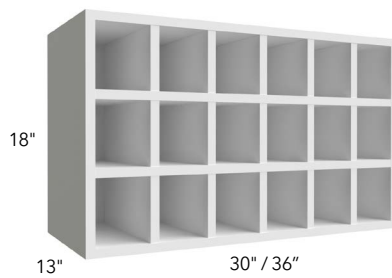
Wine Cabinets



WINE CUBE

| ITEM | R | T |
|--------|-----|-----|
| WC0630 | 490 | 445 |
| WC0636 | 540 | 495 |
| WC0642 | 600 | 540 |

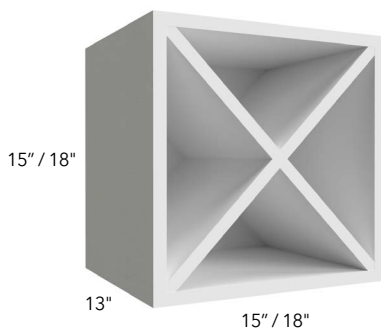
- Matching finished interior
- Gloss finishes are featured on top of shelves and all interior faces of the cabinet box
- 30" Fits 5 bottles
- 36" Fits 6 bottles
- 42" Fits 7 bottles



WINE RACK

| ITEM | R | T |
|--------|------|------|
| WR3018 | 1125 | 960 |
| WR3618 | 1260 | 1075 |

- Matching finished interior
- Gloss finishes are featured on top of shelves and all interior faces of the cabinet box
- 30" Fits 18 bottles
- 36" Fits 21 bottles

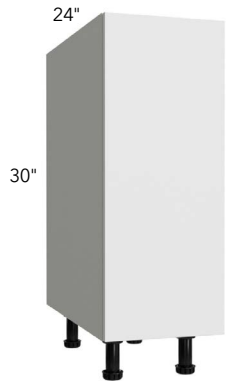


WINE RACK

| ITEM | R | T |
|---------|-----|-----|
| WR15X15 | 580 | 500 |
| WR18X18 | 680 | 580 |

- Matching finished interior
- Gloss finishes are featured on top of shelves and all interior faces of the cabinet box
- Storage Capacity
 - » WR15X15: 8-12 bottles
 - » WR18X18: 12-16 bottles

Base Cabinets



FULL HEIGHT SINGLE DOOR

| ITEM | R | T |
|--------|-----|-----|
| B09FD | 570 | 515 |
| B12FD | 620 | 560 |
| B15FD | 660 | 595 |
| B18FD | 705 | 640 |
| B21FD | 750 | 680 |
| B24SFD | 785 | 710 |

- Includes two 18" deep adjustable shelves
- Trash Can available on pg. 37
- Roll Out available on pg. 29

Note: Need to indicate R or L at time of order

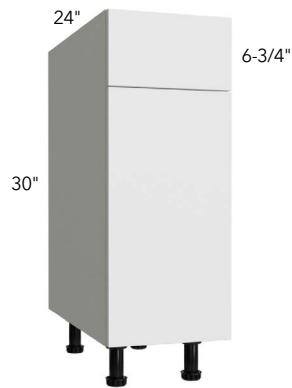


FULL HEIGHT DOUBLE DOOR

| ITEM | R | T |
|-------|------|-----|
| B24FD | 830 | 750 |
| B27FD | 960 | 865 |
| B30FD | 1010 | 910 |
| B33FD | 1065 | 960 |
| B36FD | 1105 | 995 |

- Includes two 18" deep adjustable shelves
- Roll Out available on pg. 29

Wine Cabinets

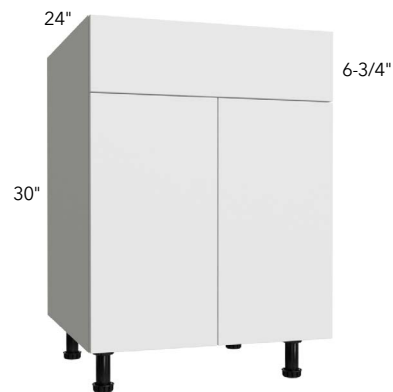


SINGLE DOOR

| ITEM | R | T |
|-------|-----|-----|
| B12 | 710 | 640 |
| B15 | 750 | 675 |
| B18 | 795 | 720 |
| B21 | 830 | 750 |
| B24SD | 960 | 870 |

- Includes one 18" deep adjustable shelf
- Trash Can available on pg. 37
- Roll Out available on pg. 29

Note: Need to indicate R or L at time of order

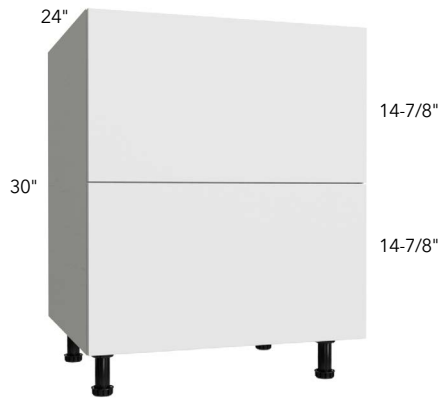


DOUBLE DOOR

| ITEM | R | T |
|------|------|-----|
| B24 | 920 | 830 |
| B27 | 950 | 855 |
| B30 | 1000 | 900 |
| B33 | 1045 | 945 |
| B36 | 1085 | 980 |

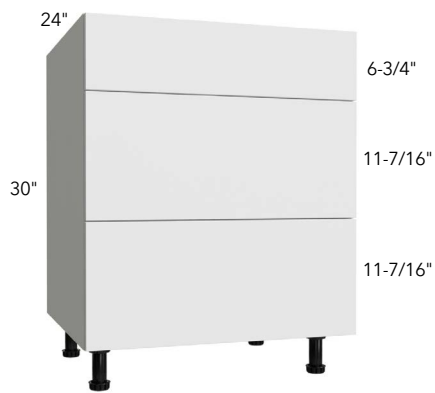
- Includes one 18" deep adjustable shelf
- Roll Out available on pg. 29

Drawer Base Cabinets



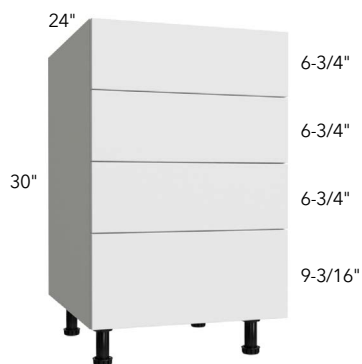
2 DRAWER

| ITEM | R | T |
|--------|------|------|
| DB24-2 | 1140 | 1035 |
| DB27-2 | 1260 | 1135 |
| DB30-2 | 1325 | 1195 |
| DB33-2 | 1305 | 1180 |
| DB36-2 | 1430 | 1290 |



3 DRAWER

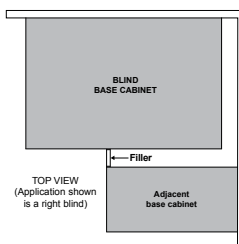
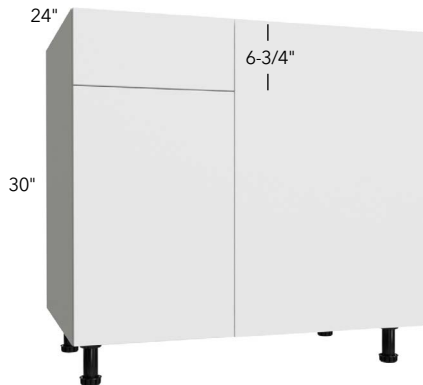
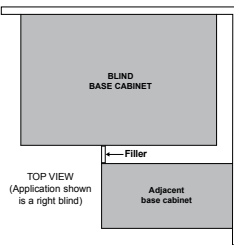
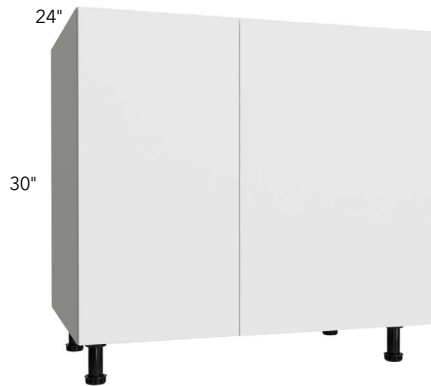
| ITEM | R | T |
|--------|------|------|
| DB12-3 | 1070 | 965 |
| DB15-3 | 1105 | 995 |
| DB18-3 | 1150 | 1035 |
| DB21-3 | 1200 | 1080 |
| DB24-3 | 1250 | 1125 |
| DB27-3 | 1375 | 1240 |
| DB30-3 | 1435 | 1295 |
| DB33-3 | 1490 | 1345 |
| DB36-3 | 1545 | 1395 |



4 DRAWER

| ITEM | R | T |
|--------|------|------|
| DB12-4 | 1245 | 1125 |
| DB15-4 | 1285 | 1160 |
| DB18-4 | 1345 | 1215 |
| DB21-4 | 1400 | 1260 |

Blind Base Cabinets



BLIND FULL HEIGHT DOOR

| ITEM | R | T |
|------------|------|-----|
| BLB36/39FD | 940 | 850 |
| BLB39/42FD | 985 | 890 |
| BLB42/45FD | 1025 | 925 |
| BLB48/51FD | 1090 | 985 |

- Must use filler on adjacent wall (not supplied)
- Measurements are rounded off to closest 1/32"
- Includes two 18" deep adjustable shelves

Note: Need to indicate Blind Left or Blind Right at time of order

| | Act. | Min. | Door | Closed Blind | Open (Door) |
|------------|------|------|---------|--------------|-------------|
| BLB36/39FD | 30" | 36" | 8-7/8" | 21" | 8-11/32" |
| BLB39/42FD | 33" | 39" | 11-7/8" | 21" | 11-11/32" |
| BLB42/45FD | 36" | 42" | 14-7/8" | 21" | 14-11/32" |
| BLB48/51FD | 42" | 48" | 20-7/8" | 21" | 20-11/32" |

BLIND

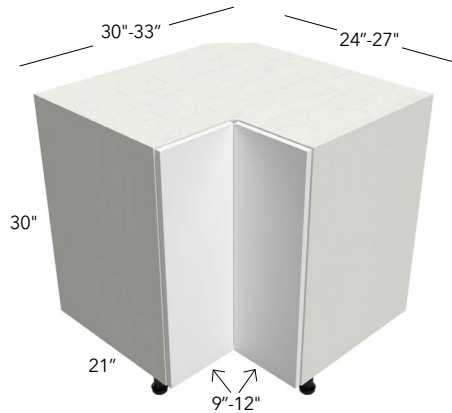
| ITEM | R | T |
|----------|------|------|
| BLB36/39 | 1225 | 1105 |
| BLB39/42 | 1245 | 1125 |
| BLB42/45 | 1290 | 1165 |
| BLB48/51 | 1405 | 1265 |

- Includes one 18" deep adjustable shelf
- Must use filler on adjacent wall (not supplied)
- Measurements are rounded off to closest 1/32"

Note: Need to indicate Blind Left or Blind Right at time of order

| | Act. | Min. | Door | Closed Blind | Open (Door) | Open (Drawer) |
|----------|------|------|---------|--------------|-------------|---------------|
| BLB36/39 | 30" | 36" | 8-7/8" | 21" | 8-11/32" | 7 5/8" |
| BLB39/42 | 33" | 39" | 11-7/8" | 21" | 11-11/32" | 10 5/8" |
| BLB42/45 | 36" | 42" | 14-7/8" | 21" | 14-11/32" | 13 5/8" |
| BLB48/51 | 42" | 48" | 20-7/8" | 21" | 20-11/32" | 19 5/8" |

Corner Base Cabinets

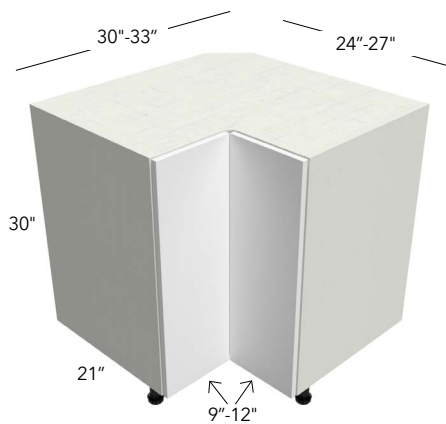


EASY REACH

| ITEM | R | T |
|-------|------|------|
| ERB33 | 1020 | 925 |
| ERB36 | 1115 | 1005 |

- Must be installed 3" from both walls
- Center shelf is adjustable
- Soft close hinge not available
- Easy-Reach & Lazy Susan bases are designed with a smaller cabinet foot-print for ease of installation & lighter weight. For example, LSB33 is 30" x 30" x 21" deep, whereas LSB36 is 33" x 33" x 21" deep.

Note: Need to indicate R or L at time of order



LAZY SUSAN

| ITEM | R | T |
|-------|------|------|
| LSB33 | 1270 | 1145 |
| LSB36 | 1585 | 1430 |

- Must be installed 3" from both walls
- LSB33: Includes two 26" Pie-Cut Lazy Susan Trays
- LSB36: Includes two 28" Pie-Cut Lazy Susan Trays
- Both Lazy Susan trays rotate independently
- Center tray is mounted on a 3/4" adjustable shelf
- Soft close hinge not available
- Easy-Reach & Lazy Susan bases are designed with a smaller cabinet foot-print for ease of installation & lighter weight. For example, LSB33 is 30" x 30" x 21" deep, whereas LSB36 is 33" x 33" x 21" deep.

Note: Need to indicate R or L at time of order

Sink Base Cabinets



DIAGONAL SINK FRONT

| ITEM | R | T |
|-----------|-----|-----|
| DSF36** | 740 | 665 |
| DSF42* | 900 | 815 |
| DSF36FD** | 710 | 640 |
| DSF42FD* | 875 | 785 |

* Includes two doors

** **Note: Need to indicate R or L at time of order**



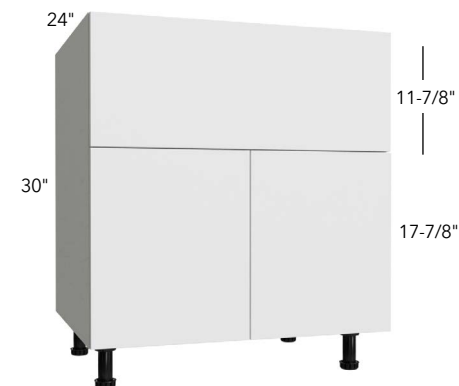
SINK BASE

| ITEM | R | T |
|----------|-----|-----|
| * SB21 | 710 | 640 |
| * SB24SD | 750 | 680 |
| SB24 | 755 | 680 |
| SB27 | 780 | 705 |
| SB30 | 830 | 750 |
| SB33 | 865 | 780 |
| SB36 | 900 | 810 |

* Single door cabinet. Need to indicate R or L at time of order

• Tilt Out available on pg. 38

• Note: Sink Base cabinets come pre-drilled with shelf clip holes.
Loose shelves available to purchase separately.



FARM SINK

| ITEM | R | T |
|------|------|------|
| FS30 | 1105 | 995 |
| FS33 | 1160 | 1045 |
| FS36 | 1210 | 1090 |

• Cut opening on job site

• Farm Sink Base comes with Apron Panel front

• Max opening:

FS30: 28-1/2"W x 11-5/8"H

FS33: 31-1/2" x 11-5/8"H

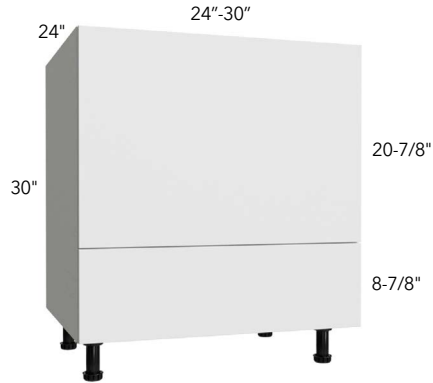
FS36: 34-1/2"W x 11-5/8"H

• Front panel attaches with clips for easy removal and install

• Additional Edge-Band available for purchase

Note: To avoid damage please apply extra care when cutting the front panel.

Specialty Base Cabinets

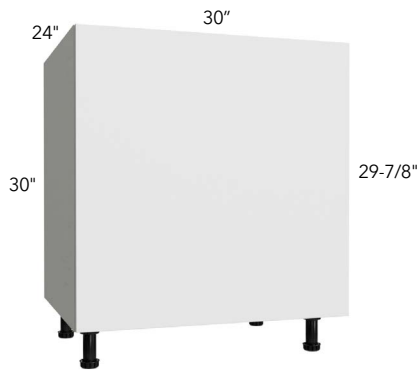


MICROWAVE

| ITEM | R | T |
|-------|------|------|
| BMC24 | 1220 | 1100 |
| BMC30 | 1220 | 1210 |

- Front panel attaches with clips for easy removal and install
- Max opening:
BMC24 = 22-1/2"W x 19-3/4"H
BMC30 = 28-1/2"W x 19-3/4"H
- Additional Edge-Band available for purchase

Note: To avoid damage, please apply extra care when cutting the front panel.



OVEN

| ITEM | R | T |
|-------|-----|-----|
| BOC30 | 765 | 650 |

- Front panel attaches with clips for easy removal and install
- Max opening: 28-1/2"W x 28-1/2"H
- Additional Edge-Band available for purchase

Note: To avoid damage, please apply extra care when cutting the front panel.



RANGE TOP BASE

| ITEM | R | T |
|-------|-----|-----|
| RTB30 | 805 | 725 |
| RTB36 | 920 | 830 |
| RTB48 | 960 | 870 |

- Includes one adjustable shelf
- Range Top Bases come with full top panel

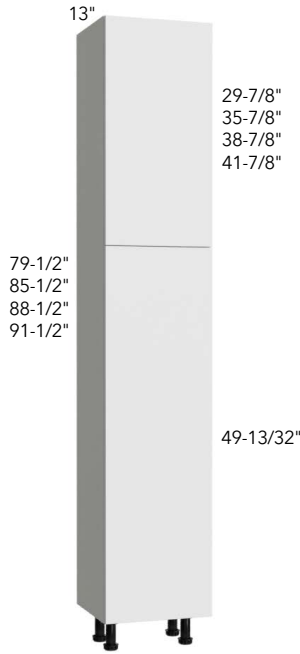


RANGE TOP DRAWER BASE

| ITEM | R | T |
|----------|------|------|
| RTDB30-2 | 1190 | 1075 |
| RTDB36-2 | 1285 | 1160 |
| RTDB48-2 | 1440 | 1300 |

- Range Top Bases come with full top panel

13" Deep Tall Pantry Cabinets



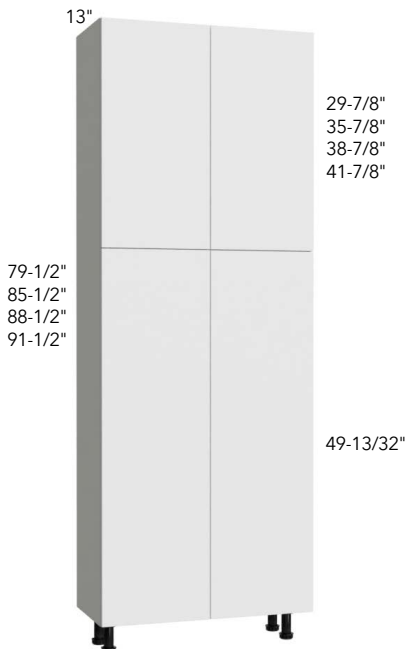
SINGLE DOOR 13" DEEP

| ITEM | R | T |
|------------|------|------|
| TP151384 | 1105 | 995 |
| TP181384 | 1195 | 1080 |
| TP241384SD | 1360 | 1230 |
| TP151390 | 1150 | 1040 |
| TP181390 | 1235 | 1115 |
| TP241390SD | 1410 | 1270 |
| TP151393 | 1190 | 1070 |
| TP181393 | 1280 | 1145 |
| TP241393SD | 1465 | 1315 |
| TP151396 | 1200 | 1080 |
| TP181396 | 1290 | 1165 |
| TP241396SD | 1480 | 1330 |

- Includes 12" deep shelves
- 84" & 90" high - 5 shelves
- 96" high - 6 shelves
- Roll Out Drawer available on pg. 29

Note: Need to indicate R or L at time of order

Shipping Note: Pantry shelves ship loose and will appear as individual line items on order packing list. Additional charges or pallet requirements may result depending on shipping method.



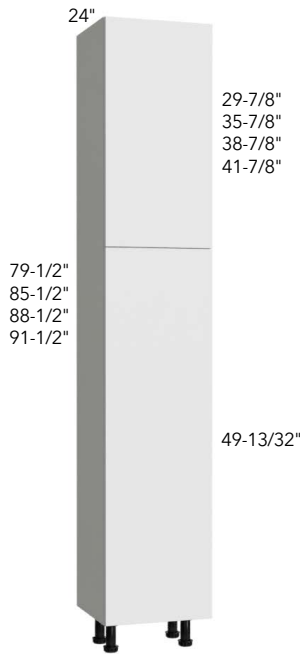
DOUBLE DOOR 13" DEEP

| ITEM | R | T |
|----------|------|------|
| TP241384 | 1485 | 1340 |
| TP241390 | 1650 | 1485 |
| TP241393 | 1615 | 1460 |
| TP241396 | 1715 | 1545 |
| TP301384 | 1740 | 1570 |
| TP301390 | 1825 | 1645 |
| TP301393 | 1790 | 1605 |
| TP301396 | 1910 | 1720 |

- Includes 12" deep shelves
- 84" & 90" high - 5 shelves
- 96" high - 6 shelves
- Roll Out Drawer available on pg. 29

Shipping Note: Pantry shelves ship loose and will appear as individual line items on order packing list. Additional charges or pallet requirements may result depending on shipping method.

24" Deep Tall Pantry Cabinets



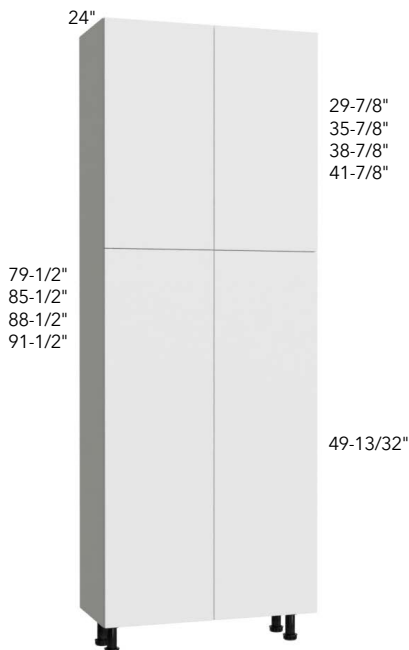
SINGLE DOOR

| ITEM | R | T |
|------------|------|------|
| TP152484 | 1315 | 1185 |
| TP182484 | 1410 | 1270 |
| TP242484SD | 1615 | 1460 |
| TP152490 | 1440 | 1300 |
| TP182490 | 1470 | 1325 |
| TP242490SD | 1680 | 1520 |
| TP152493 | 1415 | 1295 |
| TP182493 | 1510 | 1365 |
| TP242493SD | 1755 | 1580 |
| TP152496 | 1425 | 1285 |
| TP182496 | 1535 | 1380 |
| TP242496SD | 1775 | 1600 |

- Includes 21" deep adjustable shelves
- 84" & 90" high - 5 shelves
- 96" high - 6 shelves
- Roll Out Drawer available on pg. 29

Note: Need to indicate R or L at time of order

Shipping Note: Pantry shelves ship loose and will appear as individual line items on order packing list. Additional charges or pallet requirements may result depending on shipping method.



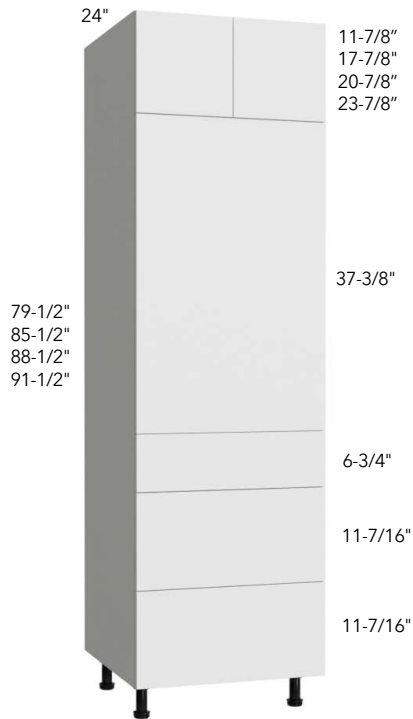
DOUBLE DOOR

| ITEM | R | T |
|----------|------|------|
| TP242484 | 1835 | 1655 |
| TP242490 | 1930 | 1740 |
| TP242493 | 1910 | 1720 |
| TP242496 | 2025 | 1825 |
| TP302484 | 2045 | 1845 |
| TP302490 | 2145 | 1935 |
| TP302493 | 2125 | 1910 |
| TP302496 | 2250 | 2025 |

- Include 21" deep adjustable shelves
- 84" & 90" high - 5 shelves
- 96" high - 6 shelves
- Roll Out Drawer available on pg. 29

Shipping Note: Pantry shelves ship loose and will appear as individual line items on order packing list. Additional charges or pallet requirements may result depending on shipping method.

Oven Cabinets



SINGLE OVEN CABINET W/ 3 DRAWERS ON THE BOTTOM

| ITEM | R | T |
|-------------|------|------|
| OC2484S-3 | 2300 | 2075 |
| OC3084S-3 | 2505 | 2260 |
| OC2490S-3 | 2355 | 2125 |
| OC3090S-3 | 2575 | 2320 |
| OC2493S-3 | 2450 | 2205 |
| OC3093S-3 | 2675 | 2410 |
| * OC2496S-3 | 2465 | 2220 |
| * OC3096S-3 | 2695 | 2430 |

* Includes one shelf in upper wall section.

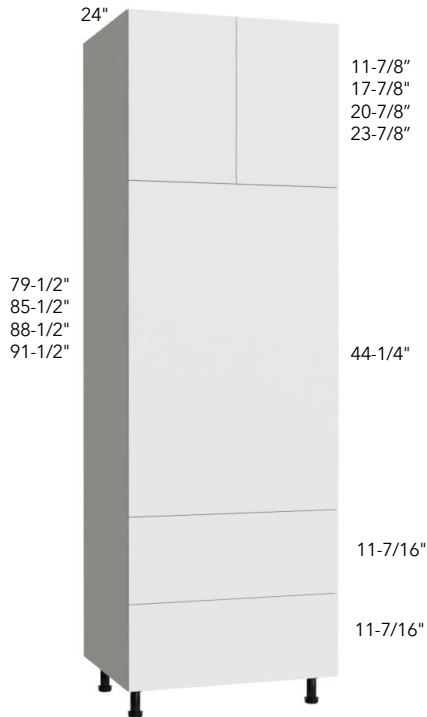
When using two appliances:

It is recommended to provide support for top appliance; PLY-3/4 available to be purchased separately. Fixed shelf to be installed on the jobsite by a qualified installer.

Full panel face frame to be trimmed on site (not by Fabuwood).
Additional Edge-Band available for purchase.

Note: To avoid damage to the frame & side panels, please apply extra care when cutting the front panel.

Oven Cabinets



COMBO OVEN CABINET W/ 2 DRAWERS ON BOTTOM

| ITEM | R | T |
|-----------|------|------|
| OC2484C | 2150 | 1935 |
| OC3084C | 2345 | 2110 |
| OC2490C | 2205 | 1985 |
| OC3090C | 2415 | 2175 |
| OC2493C | 2290 | 2055 |
| OC3093C | 2520 | 2270 |
| * OC2496C | 2310 | 2080 |
| * OC3096C | 2535 | 2285 |

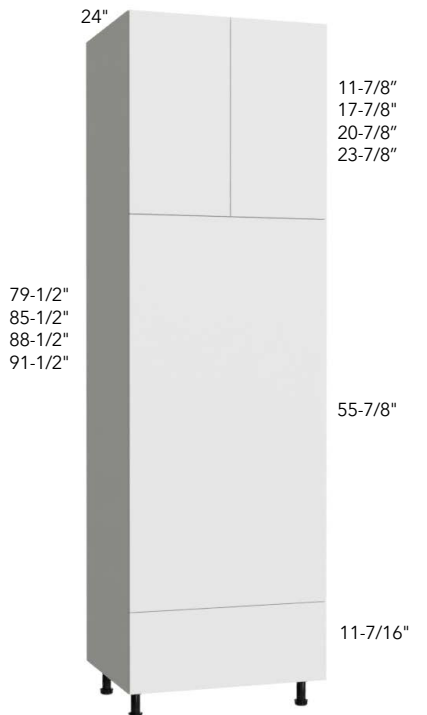
* Includes one shelf in upper wall section.

When using two appliances:

It is recommended to provide support for top appliance; PLY-3/4 available to be purchased separately. Fixed shelf to be installed on the jobsite by a qualified installer.

Full panel face frame to be trimmed on site (not by Fabuwood).
Additional Edge-Band available for purchase.

Note: To avoid damage to the frame & side panels, please apply extra care when cutting the front panel.



DOUBLE OVEN CABINET W/ 1 DRAWER ON BOTTOM

| ITEM | R | T |
|-----------|------|------|
| OC2484D | 1845 | 1665 |
| OC3084D | 2020 | 1815 |
| OC2490D | 1905 | 1720 |
| OC3090D | 2090 | 1885 |
| OC2493D | 1985 | 1785 |
| OC3093D | 2195 | 1975 |
| * OC2496D | 2010 | 1810 |
| * OC3096D | 2210 | 1990 |

* Includes one shelf in upper wall section.

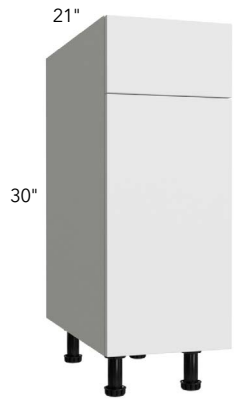
When using two appliances:

It is recommended to provide support for top appliance; PLY-3/4 available to be purchased separately. Fixed shelf to be installed on the jobsite by a qualified installer.

Full panel face frame to be trimmed on site (not by Fabuwood).
Additional Edge-Band available for purchase.

Note: To avoid damage to the frame & side panels, please apply extra care when cutting the front panel.

Vanities

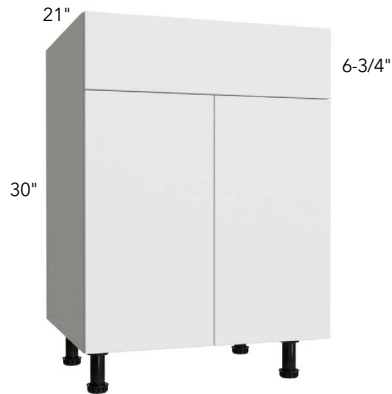


SINGLE DOOR VANITY BASE

| ITEM | R | T |
|------|-----|-----|
| VB12 | 700 | 630 |
| VB15 | 740 | 670 |
| VB18 | 775 | 700 |
| VB21 | 880 | 790 |

- Includes one 18" deep adjustable shelf

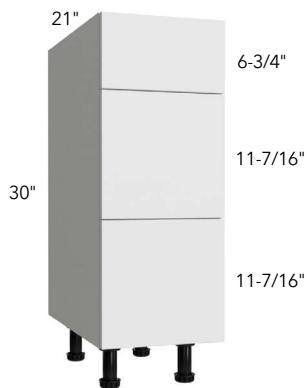
Note: Need to indicate R or L at time of order



VANITY BASE

| ITEM | R | T |
|------|------|------|
| VB24 | 945 | 855 |
| VB27 | 990 | 895 |
| VB30 | 1035 | 935 |
| VB33 | 1135 | 1025 |
| VB36 | 1180 | 1065 |

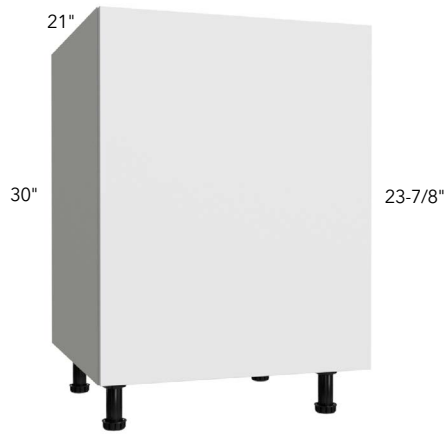
- Includes one 18" deep adjustable shelf



VANITY DRAWER BASE (3 DRAWERS)

| ITEM | R | T |
|-------|------|------|
| VDB12 | 1035 | 935 |
| VDB15 | 1065 | 960 |
| VDB18 | 1235 | 1115 |

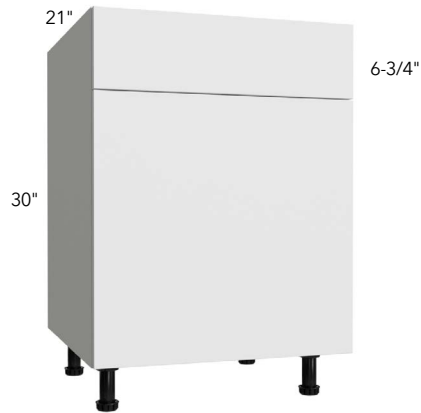
Vanities



VANITY SINK BASE (FULL HEIGHT SINGLE DOOR)

| ITEM | R | T |
|----------|-----|-----|
| VSB24SFD | 695 | 630 |

Note: Sink Base cabinets come pre-drilled with shelf clip holes. Loose shelves available to purchase separately.

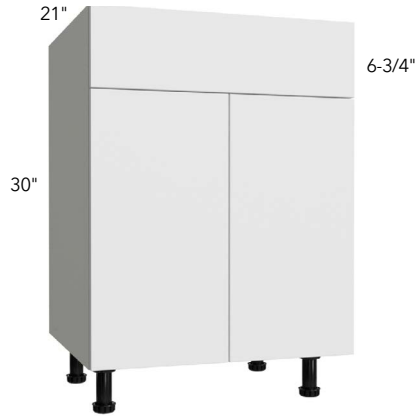


VANITY SINK BASE (SINGLE DOOR WITH DRAWER)

| ITEM | R | T |
|---------|-----|-----|
| VSB24SD | 725 | 655 |

Note: Sink Base cabinets come pre-drilled with shelf clip holes. Loose shelves available to purchase separately.

Vanities



VANITY SINK BASE (SAME LOOK AS 2 DOOR/DRAWER BASE)

| ITEM | R | T |
|-------|-----|-----|
| VSB24 | 770 | 695 |
| VSB27 | 805 | 725 |
| VSB30 | 845 | 765 |
| VSB33 | 885 | 800 |
| VSB36 | 925 | 835 |

Note: Sink Base cabinets come pre-drilled with shelf clip holes. Loose shelves available to purchase separately.



VANITY SINK BASE (FULL HEIGHT 2 DOORS)

| ITEM | R | T |
|---------|-----|-----|
| VSB24FD | 745 | 675 |
| VSB27FD | 775 | 700 |
| VSB30FD | 815 | 740 |
| VSB33FD | 855 | 770 |
| VSB36FD | 880 | 795 |

Note: Sink Base cabinets come pre-drilled with shelf clip holes. Loose shelves available to purchase separately.

Base Accessories



ROLL OUT

| ITEM | LIST |
|----------------|------|
| ROD-B15 ILLUME | 570 |
| ROD-B18 ILLUME | 585 |
| ROD-B21 ILLUME | 620 |
| ROD-B24 ILLUME | 625 |
| ROD-B27 ILLUME | 700 |
| ROD-B30 ILLUME | 705 |
| ROD-B33 ILLUME | 715 |
| ROD-B36 ILLUME | 720 |

- BLUM MERIVOBOX Roll-Outs feature Two-dimensional drawer front adjustment & a static load capacity of 75 lb.
- Illume Roll-Outs are Blum MERIVOBOX Metal Roll-Outs with Full-Extension Soft-Close Slides
- Pricing is per Roll-Out Drawer & includes installation when ordered as an accessory on a cabinet. Cabinet is not included.
- Can also be used with Pantries. EX: ROD-B24 ILLUME will work in a 24"W Pantry.
- Roll-Out Drawers are also available for 13"D Tall Pantries, 15"D Wall Drawers, and 21"D Vanity Cabinets. Note: ROD's added to a cabinet less than 24"D or in combination with a CUT- depth modification will incur a CUT-ROD surcharge.
- Increased depth of Rollout drawers are by custom request only. Custom quote required.



INTERIOR ROLL OUT FOR 2 DRAWER BASE

| ITEM | LIST |
|-------------------|------|
| ROD-DB24-2 ILLUME | 695 |
| ROD-DB27-2 ILLUME | 700 |
| ROD-DB30-2 ILLUME | 705 |
| ROD-DB33-2 ILLUME | 715 |
| ROD-DB36-2 ILLUME | 720 |

- Available for 2 Drawer Base Cabinet Only
- Features Blum MERIVOBOX Metal Roll-Out with Full-Extension Soft-Close Slides
- Includes latch handle that locks into the top drawer, allowing both drawers to open simultaneously (lock can be enabled/disabled with coin)

Note: Includes installation in top drawer only. Cabinet is not included.

Base Accessories



BPOBLB42/45-L ILLUME

BLIND BASE PULL OUT

| ITEM | LIST |
|-----------------------|------|
| BPO-BLB42/45-R ILLUME | 2190 |
| BPO-BLB42/45-L ILLUME | 2190 |
| BPO-BLB48/51-R ILLUME | 2360 |
| BPO-BLB48/51-L ILLUME | 2360 |

- Cabinet not included, cabinet must be ordered separately
- Includes two trays per accessory
- Available for Drawer and Door and Full Height Door cabinets
- Load Capacity: 55lb (25kg) per tray
- Gray/Chrome Finish



SPOB09 ILLUME

SPICE PULL OUT

| ITEM | LIST |
|----------------|------|
| SPO-B9 ILLUME | 1340 |
| SPO-B12 ILLUME | 1355 |
| SPO-B15 ILLUME | 1475 |
| SPO-B18 ILLUME | 1555 |

- Cabinet not included, cabinet must be ordered separately
- Includes two baskets per accessory
- Load Capacity: 60 lb (27kg)
- Gray/Chrome Finish



18" HEAVY DUTY MIXER LIFT

| ITEM | LIST |
|----------------|------|
| MLU-B18 ILLUME | 1840 |

- Cabinet not included; cabinet must be ordered separately
- Soft-close mechanism features built-in shock dampeners with adjustable spring tension
- Load Capacity: 60 lb (27kg)
- Orion Gray Steel Mechanism with Walnut Wood Block Shelf
- Shelf is 20"(L) x 13-1/4" (W) x 1-3/8" (H)

NOTE: For B18FD Only. Will not work in a door/drawer configuration.

Base Accessories



DOOR MOUNTED PULL OUT

| ITEM | LIST |
|-------------------|------|
| DMPO-B12 ILLUME | 2020 |
| DMPO-B15 ILLUME | 2130 |
| DMPO-B18 ILLUME | 2235 |
| DMPO-B21 ILLUME | 2345 |
| DMPO-B09FD ILLUME | 1910 |
| DMPO-B12FD ILLUME | 2020 |
| DMPO-B15FD ILLUME | 2130 |
| DMPO-B18FD ILLUME | 2235 |
| DMPO-B21FD ILLUME | 2345 |

- Includes two adjustable trays (shipped loose)

Note: Frame includes installation when ordered as an accessory on a cabinet. Cabinet is not included.



YOUBOX PULL OUT

| ITEM | LIST |
|-------------------|------|
| UBPO-B12 ILLUME | 2075 |
| UBPO-B15 ILLUME | 2510 |
| UBPO-B18 ILLUME | 2620 |
| UBPO-B12FD ILLUME | 2725 |
| UBPO-B15FD ILLUME | 2835 |
| UBPO-B18FD ILLUME | 2945 |

- Features:
 - two 1L storage boxes with lids
 - two 2.1L storage boxes
 - one large divider
 - two traverse rails
- Includes two adjustable trays (shipped loose)

Note: Frame includes installation when ordered as an accessory on a cabinet. Cabinet is not included.

Base Accessories



UTILITY & KNIFE PULL OUT

| ITEM | LIST |
|--------------------|------|
| UKBPO-B12 ILLUME | 2180 |
| UKBPO-B15 ILLUME | 2290 |
| UKBPO-B18 ILLUME | 2400 |
| UKBPO-B12FD ILLUME | 2510 |
| UKBPO-B15FD ILLUME | 2620 |
| UKBPO-B18FD ILLUME | 2725 |

- *Features:*
 - utility frame
 - four storage boxes
 - one knife block insert
- *Includes two adjustable trays (shipped loose)*

Note: Frame includes installation when ordered as an accessory on a cabinet. Cabinet is not included.



PAPER TOWEL PULL OUT

| ITEM | LIST |
|-------------------|------|
| PTPO-B12 ILLUME | 2235 |
| PTPO-B09FD ILLUME | 2290 |
| PTPO-B12FD ILLUME | 2345 |

- *Features:*
 - paper towel holder frame
 - one 1L storage box
- *Includes two adjustable trays (shipped loose)*

Note: Frame includes installation when ordered as an accessory on a cabinet. Cabinet is not included.

Base Accessories



BAKER TRAY PULL OUT

| ITEM | LIST |
|-------------------|------|
| BTPO-B12 ILLUME | 1935 |
| BTPO-B09FD ILLUME | 1690 |
| BTPO-B12FD ILLUME | 1635 |

- Features:
 - one metal shelf
 - two wire racks
 - elastic bumpers
 - plastic clips

Note: Frame includes installation when ordered as an accessory on a cabinet. Cabinet is not included.



HPO-18



HPO-24

HAMPER PULL OUT

| ITEM | LIST |
|---------------|------|
| HPO-18 ILLUME | 2290 |
| HPO-24 ILLUME | 2510 |

- Cabinet not included, cabinet must be ordered separately
- Includes two removable plastic hamper baskets
- Total Load Capacity: 100lb (50kg)

Wall Accessories



FLOATING SHELF - TIMBER

| ITEM | LIST |
|--------------|------|
| FLS24 TIMBER | 515 |
| FLS30 TIMBER | 570 |
| FLS36 TIMBER | 665 |
| FLS42 TIMBER | 700 |
| FLS48 TIMBER | 735 |
| FLS54 TIMBER | 960 |
| FLS60 TIMBER | 1040 |

- Includes hanging bracket & mounting hardware

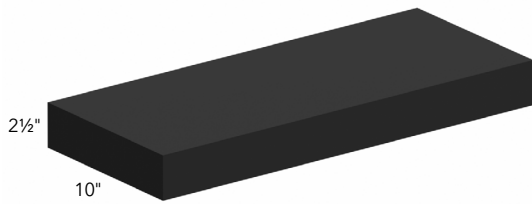


FLOATING SHELF - WALNUT

| ITEM | LIST |
|--------------|------|
| FLS24 WALNUT | 665 |
| FLS30 WALNUT | 735 |
| FLS36 WALNUT | 815 |
| FLS42 WALNUT | 890 |
| FLS48 WALNUT | 960 |
| FLS54 WALNUT | 1125 |
| FLS60 WALNUT | 1190 |

- Includes hanging bracket & mounting hardware

Wall Accessories



FLOATING SHELF - BLACK MATTE

| ITEM | LIST |
|---------------|------|
| FLS24 BLACK M | 385 |
| FLS30 BLACK M | 440 |
| FLS36 BLACK M | 495 |
| FLS42 BLACK M | 545 |
| FLS48 BLACK M | 600 |
| FLS54 BLACK M | 655 |
| FLS60 BLACK M | 710 |

- Includes hanging bracket & mounting hardware



FLOATING SHELF - WHITE MATTE

| ITEM | LIST |
|---------------|------|
| FLS24 WHITE M | 385 |
| FLS30 WHITE M | 440 |
| FLS36 WHITE M | 495 |
| FLS42 WHITE M | 545 |
| FLS48 WHITE M | 600 |
| FLS54 WHITE M | 655 |
| FLS60 WHITE M | 710 |

- Includes hanging bracket & mounting hardware

Wall Accessories



LAZY SUSAN TWISTER

| ITEM | LIST |
|---------------------|------|
| LSTS24 30 ILLUME | 2675 |
| LSTS24 36 ILLUME | 2780 |
| LSTS24 39/42 ILLUME | 2890 |

- *LSTS24 30 ILLUME: Includes two twister trays (shipped loose)*
- *LSTS24 36/39/42 ILLUME: Includes three twister trays (shipped loose)*

Note: Frame includes installation when ordered as an accessory on a cabinet. Cabinet is not included.



PULL DOWN SHELF

| ITEM | LIST |
|----------------|------|
| PDS-W24 ILLUME | 1840 |
| PDS-W36 ILLUME | 2175 |

- *Cabinet not included, cabinet must be ordered separately*
- *Features two chrome wire shelves*
- *Gas-assisted lifting/lowering mechanism*
- *Pulls down 11-1/2" and out 16-3/4"*
- *Load Capacity: 17lb*

NOTE: For 24/36"W x 30/36/42"H Wall Cabinets only.

Waste Solutions

TRASH CAN

| ITEM | LIST |
|-------------|------|
| TC15 ILLUME | 1245 |
| TC18 ILLUME | 1320 |
| TC21 ILLUME | 1320 |

- Cabinet not included, cabinet must be ordered separately
- TC15 = one 35qt can + 1 bag bin
TC18 & TC21 = two 35qt cans
- MERIVOBX Drawer
- 175lb static, 150lb dynamic load rating

TRASH CAN FULL-HEIGHT DOOR

| ITEM | LIST |
|----------------|------|
| TC15FHD ILLUME | 1250 |
| TC18FHD ILLUME | 1325 |
| TC21FHD ILLUME | 1325 |

- Cabinet not included, cabinet must be ordered separately
- TC15FHD = one 50qt can + 1 bag bin
TC18FHD & TC21FHD = two 50qt cans
- MERIVOBX Drawer
- 175lb static, 150lb dynamic load rating

Sink Accessories



TILT OUT

| ITEM | LIST |
|-------------|------|
| TILTOUT 11" | 250 |
| TILTOUT 14" | 250 |
| TILTOUT 24" | 250 |

- TILTOUT 11 - available for SB27*, VSB27*
- TILTOUT 14 - available for SB21, SB24, SB24SD, SB33*, SB36*, VSB24, VSB24SD, VSB33*, VSB36*
- TILTOUT 24 - SB30, VSB30

* 2 trays



SBPO1-21/36 ILLUME



SBPO3-21/36 ILLUME

SINK BASE PULL OUT

| ITEM | LIST |
|--------------------|------|
| SBPO1-21/36 ILLUME | 600 |
| SBPO3-21/36 ILLUME | 1090 |

- SBPO1-21/36 ILLUME Features:
 - one removable basket with handle
 - four dividers
- SBPO3-21/36 ILLUME Features:
 - one removable basket with handle
 - one basket without handle
 - one swivel basket
 - eight dividers

Note: Frame includes installation when ordered as an accessory on a cabinet. Cabinet is not included.

Sink & Appliance Accessories



SINK MAT

| ITEM | LIST |
|----------------|------|
| UNDER SINK MAT | 240 |

- Product will be cut to size when purchased as accessory for cabinet.
- Product Purchased Separately will ship loose in 48"x30" Sheets.
- Grey waterproof polystyrene mat with stainless steel detail

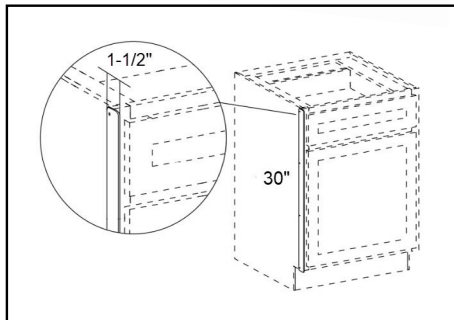


ILLUME HEAT SHIELD

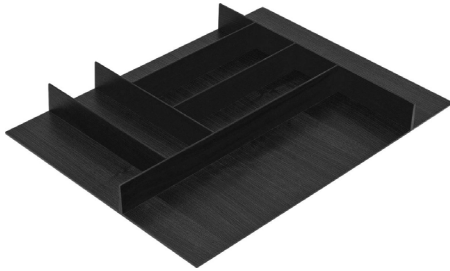
| ITEM | LIST |
|-------------------|------|
| HEAT SHIELD WHITE | 34 |

- 1/16" thick powder-coated steel with pre-drilled installation holes.
- Required in order to shield the Illume Laminate Cabinet Box from adjacent oven heat.
- Sold individually; must order quantity of 2.

NOTE: This item is required when installing cabinets on either side of a heating appliance (for example a Range). Fabuwood does not take responsibility for failure to order this item and will not warranty Illume Cabinetry that has not been installed with the heat shield adjacent to a heating appliance.



Drawer Accessories

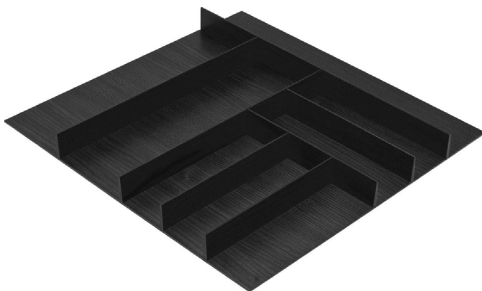
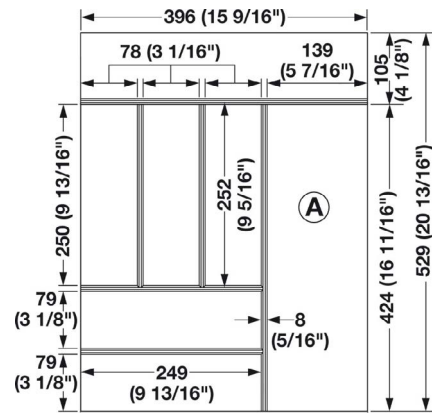


TRIMMABLE SMALL CUTLERY DIVIDER

| ITEM | LIST |
|-------------|------|
| CD-S ILLUME | 385 |

- Black ash finish
- Fits 1 insert

NOTE: Ensure inserts are ordered according to the specific capacity of each cutlery divider

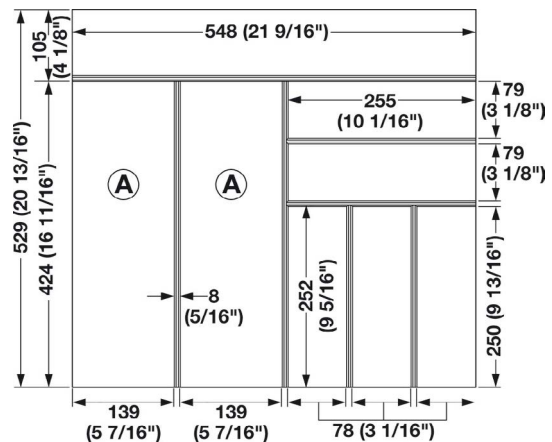


TRIMMABLE MEDIUM CUTLERY DIVIDER

| ITEM | LIST |
|-------------|------|
| CD-M ILLUME | 495 |

- Black ash finish
- Fits 2 inserts

NOTE: Ensure inserts are ordered according to the specific capacity of each cutlery divider



Drawer Accessories

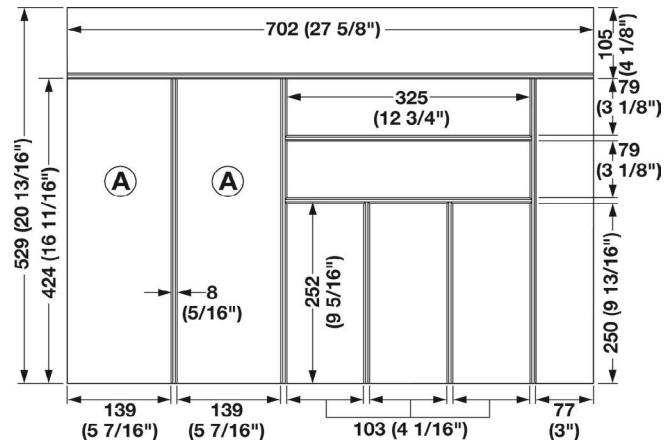


TRIMMABLE LARGE CUTLERY DIVIDER

| ITEM | LIST |
|-------------|------|
| CD-L ILLUME | 600 |

- Black ash finish
- Fits 2 inserts

NOTE: Ensure inserts are ordered according to the specific capacity of each cutlery divider

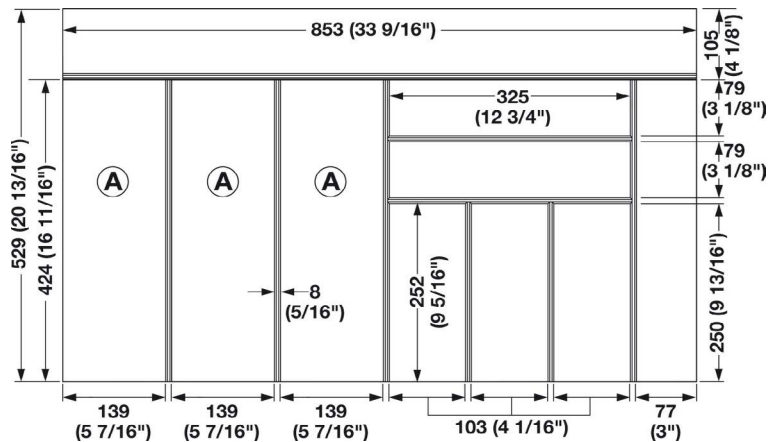


TRIMMABLE EXTRA LARGE CUTLERY DIVIDER

| ITEM | LIST |
|--------------|------|
| CD-XL ILLUME | 710 |

- Black ash finish
- Fits 3 inserts

NOTE: Ensure inserts are ordered according to the specific capacity of each cutlery divider



Drawer Accessories

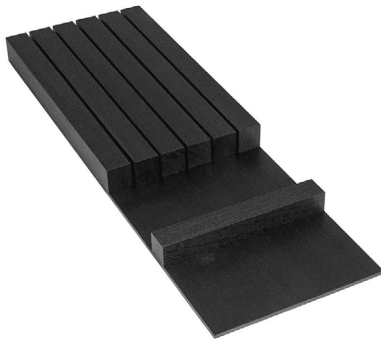
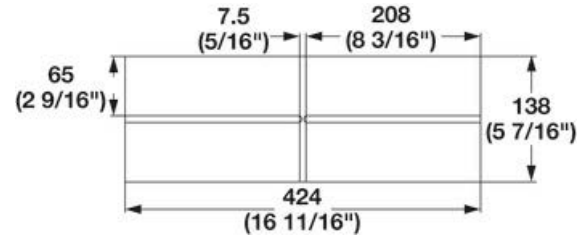


CROSS DIVIDER INSERT

| ITEM | LIST |
|---------------|------|
| CD-CDI ILLUME | 140 |

- Black ash finish

NOTE: Ensure inserts are ordered according to the specific capacity of each cutlery divider

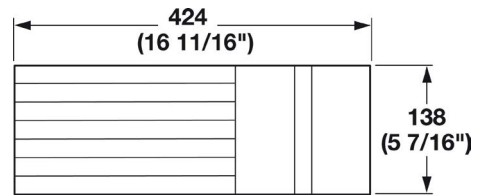


KNIFE INSERT

| ITEM | LIST |
|--------------|------|
| CD-KI ILLUME | 240 |

- Black ash finish

NOTE: Ensure inserts are ordered according to the specific capacity of each cutlery divider

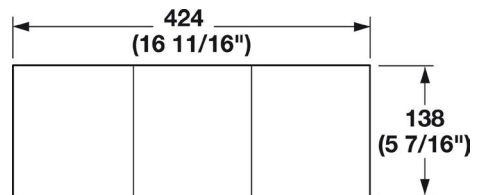


SPICE INSERT

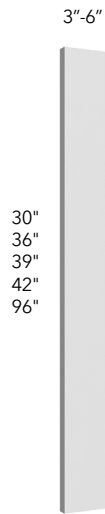
| ITEM | LIST |
|--------------|------|
| CD-SI ILLUME | 145 |

- Black ash finish

NOTE: Ensure inserts are ordered according to the specific capacity of each cutlery divider



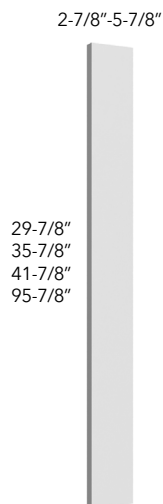
Fillers



WALL, TALL & BASE

| ITEM | R | T |
|-------|-----|-----|
| WF330 | 135 | 130 |
| WF336 | 160 | 155 |
| WF339 | 83 | 71 |
| WF342 | 175 | 170 |
| WF630 | 200 | 190 |
| WF636 | 225 | 215 |
| WF639 | 120 | 105 |
| WF642 | 250 | 240 |
| TF396 | 240 | 230 |
| TF696 | 310 | 265 |
| BF3* | 115 | 110 |
| BF6* | 220 | 210 |

- Fillers are finished on two sides and edge-banded on all four edges

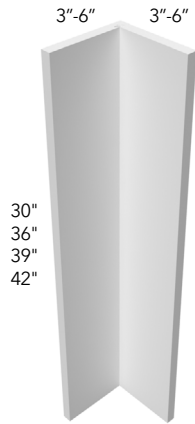


OVERLAY FILLER

| ITEM | R | T |
|--------|-----|-----|
| OLF330 | 65 | 56 |
| OLF336 | 79 | 68 |
| OLF342 | 88 | 75 |
| OLF384 | 140 | 115 |
| OLF390 | 150 | 130 |
| OLF396 | 160 | 140 |
| OLF630 | 100 | 86 |
| OLF636 | 115 | 99 |
| OLF642 | 130 | 110 |

- Fillers are finished on two sides and edge-banded on all four edges

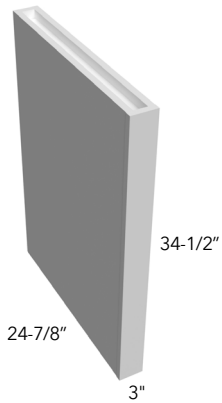
Fillers



CORNER FILLER

| ITEM | R | T |
|-------|-----|-----|
| CF330 | 145 | 130 |
| CF336 | 160 | 140 |
| CF339 | 170 | 150 |
| CF342 | 180 | 160 |
| CF630 | 175 | 155 |
| CF636 | 200 | 170 |
| CF639 | 215 | 190 |
| CF642 | 225 | 195 |

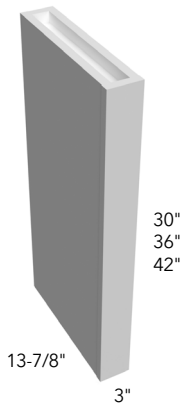
Columns



BASE COLUMN

| ITEM | R | T |
|----------|-----|-----|
| CLM-BASE | 735 | 700 |

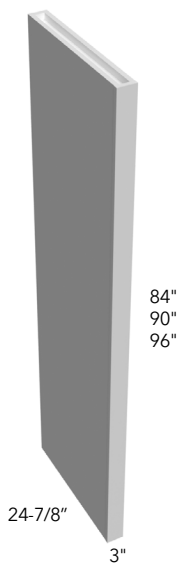
- Sides are flush finished
- Back is unfinished



WALL COLUMNS

| ITEM | R | T |
|--------|-----|-----|
| CLM-30 | 530 | 455 |
| CLM-36 | 600 | 515 |
| CLM-39 | 630 | 535 |
| CLM-42 | 655 | 560 |

- Sides are flush finished
- Back is unfinished

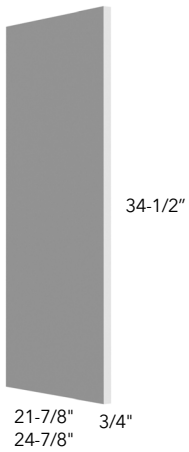


TALL COLUMN

| ITEM | R | T |
|--------|------|------|
| CLM-84 | 1465 | 1395 |
| CLM-90 | 1540 | 1465 |
| CLM-93 | 1770 | 1505 |
| CLM-96 | 1645 | 1565 |

- Sides are flush finished
- Back is unfinished

End Panels



BASE END PANEL

| ITEM | R | T |
|------|-----|-----|
| BEP | 290 | 280 |
| VBEP | 270 | 230 |

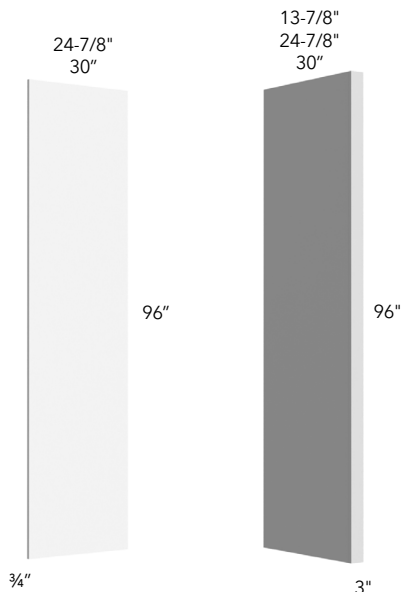
- * Finished on two sides and edge-banded on all four edges
- Additional Edge-Band available for purchase
- BEP: 24-7/8"W x 34-1/2"H
- VBEP: 21-7/8"W x 34-1/2"H



WALL END PANEL

| ITEM | R | T |
|-------------|-----|-----|
| WEP1430 x 3 | 255 | 220 |
| WEP1436 x 3 | 285 | 250 |
| WEP1439 X 3 | 300 | 265 |
| WEP1442 x 3 | 320 | 275 |

- * Finished on two sides and edge-banded on all four edges
- End panels with filler have flush finished sides and edge-banding on all four edges
- Additional Edge-Band available for purchase

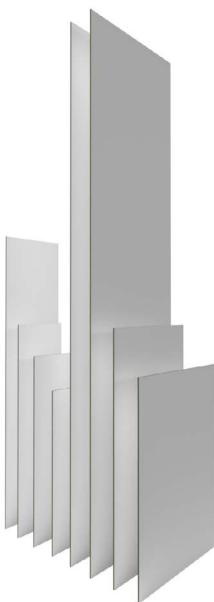
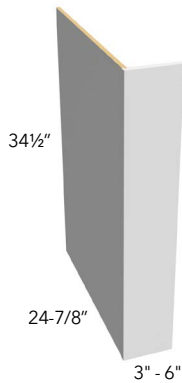
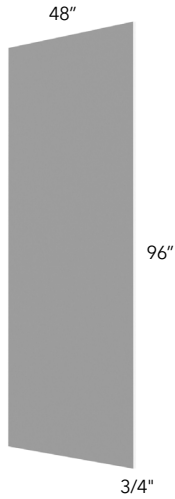


REFRIGERATOR END PANEL

| ITEM | R | T |
|-------------|------|------|
| TEP* | 855 | 725 |
| REP2596* | 815 | 775 |
| REP3096* | 1120 | 955 |
| REP1496 x 3 | 535 | 460 |
| REP2596 x 3 | 960 | 820 |
| REP3096 x 3 | 1230 | 1050 |

- * Finished on two sides and edge-banded on all four edges
- Edge-banded all around
- End panels with filler have flush finished sides and edge-banding on all four edges
- Additional Edge-Band available for purchase

Panels



MDF

| ITEM | R | T |
|-------------|------|------|
| PAN-3/4 | 1590 | 1355 |
| PAN-3/4 4X9 | 1590 | 1355 |

- PAN-3/4: Signature Matte & Gloss Colors only
- PAN-3/4 4X9: Designer Collection Colors & Signature Textured Colors only
- Front side has full finish; Back side has reduced detail, matte finish
- No edge-band

DISHWASHER RETURN END PANEL

| ITEM | R | T |
|------|-----|-----|
| DWR3 | 405 | 345 |
| DWR6 | 465 | 400 |

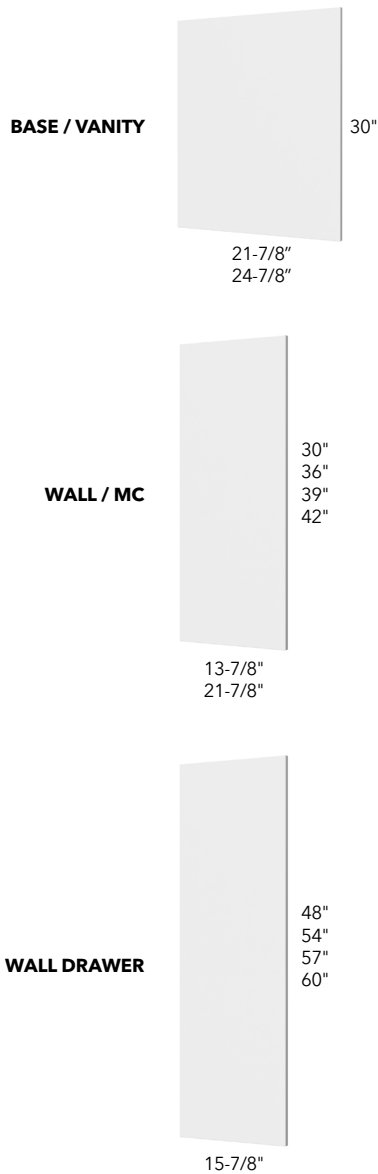
- Dishwasher End Panels with filler have flush finished sides and edge-banding on all four edges
- Additional Edge-Band available for purchase

FINISHED END SKIN

| ITEM | R | T |
|---------|-----|-----|
| SK BASE | 140 | 140 |
| SK MC | 205 | 205 |
| SK TALL | 405 | 405 |
| SK T13D | 275 | 275 |
| SK W30 | 81 | 81 |
| SK W36 | 120 | 120 |
| SK W42 | 120 | 120 |
| SK WD | 270 | 270 |

- Available for the 4 Signature colors only (Bianco Matte, Bianco Gloss, Carbone Matte, Grigio Gloss)
- 1/16" thick skin has peel off adhesive backing
- Skin Dimensions:
 - » SK BASE: 24" x 30"
 - » SK MC: 20" x 42"
 - » SK TALL: 24" x 96"
 - » SK T13D: 13" x 96"
 - » SK W30: 13" x 30"
 - » SK W36: 13" x 36"
 - » SK W42: 13" x 42"
 - » SK WD: 15" x 60"

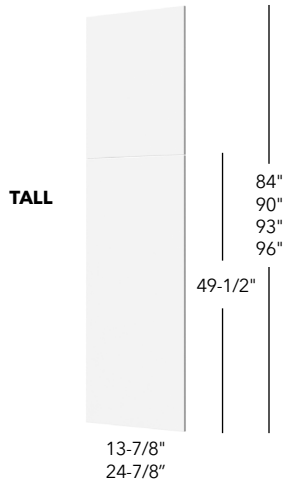
Wainscot Panels



WAINSCOT PANEL - BASE & WALL

| ITEM | R | T |
|-----------|-----|-----|
| WP-BASE | 275 | 250 |
| WP-VBASE | 255 | 230 |
| WP-W12 | 105 | 95 |
| WP-W15 | 120 | 110 |
| WP-W18 | 145 | 135 |
| WP-W21 | 160 | 145 |
| WP-W24 | 170 | 155 |
| WP-W30 | 150 | 140 |
| WP-W36 | 210 | 195 |
| WP-W39 | 220 | 205 |
| WP-W42 | 230 | 210 |
| WP-MC30 | 255 | 230 |
| WP-MC36 | 300 | 275 |
| WP-MC39 | 330 | 300 |
| WP-MC42 | 355 | 325 |
| WP-WD48 | 280 | 255 |
| WP-WD54 | 330 | 295 |
| WP-WD57 | 345 | 315 |
| WP-WD60 | 355 | 325 |
| WP-W1224D | 160 | 150 |
| WP-W1524D | 180 | 165 |
| WP-W1824D | 205 | 190 |
| WP-W2124D | 195 | 175 |
| WP-W2424D | 250 | 225 |

- Same profile as cabinet door (3/4" thick)
- Dimensions:
 Base: 24-7/8"W x 30"H
 Vanity Base (21"D): 21-7/8"W x 30"H
 Wall (13"D): 13-7/8"W x 30"H / 36"H / 42"H
 Wall (24"D): 24-7/8"W x 12"H / 15"H / 18"H / 24"H
 Wall Microwave (21"D): 21-7/8"W x 30"H / 36"H / 42"H
 Wall Drawer (15"D): 15-7/8"W x 48"H / 54"H / 60"H



WAINSCOT PANEL - TALL

| ITEM | R | T |
|-----------|-----|-----|
| WP-T84 | 715 | 645 |
| WP-T90 | 750 | 680 |
| WP-T93 | 780 | 705 |
| WP-T96 | 815 | 740 |
| WP-T8413D | 470 | 430 |
| WP-T9013D | 490 | 445 |
| WP-T9313D | 510 | 460 |
| WP-T9613D | 530 | 480 |

- Same profile as cabinet door (3/4" thick)
- Dimensions:
 - Tall (13"D): 13-7/8"W x 84"H / 90"H / 96"H
Note: Bottom door is 49-1/2"H
 - Tall (24"D): 24-7/8"W x 84"H / 90"H / 96"H
Note: Bottom door is 49-1/2"H

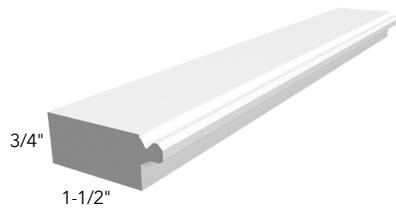
Moldings (8')



TOE KICK

| ITEM | R | T |
|---------|-----|-----|
| TK8-3/4 | 175 | 155 |
| BBM | 290 | 255 |

- Edge-banded on all 4 edges
- Additional Edge-Band available for purchase



STARTER

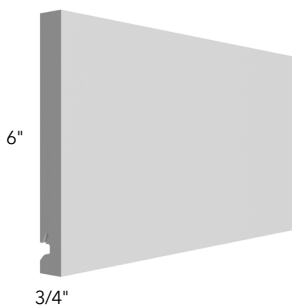
| ITEM | R | T |
|--------|-----|-----|
| STRM-8 | 195 | 165 |



LIGHT RAIL

| ITEM | R | T |
|------|-----|-----|
| LRM | 220 | 190 |

- Use with STRM-8 to install LRM to be flushed with front of door

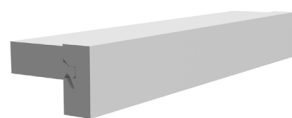


STRAIGHT VALANCE

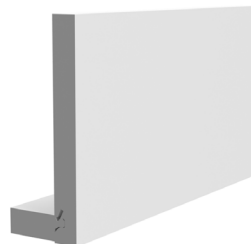
| ITEM | R | T |
|-------|-----|-----|
| VST-6 | 295 | 255 |

- Use STRM-8 for Soffit build-up

EXAMPLES OF STRM-8 APPLICATION:

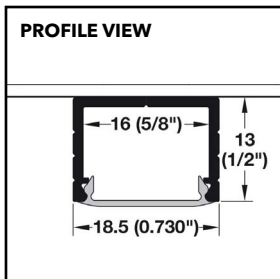


LRM + STRM-8



VST-6 + STRM-8

Cabinet Lighting



UNDER CABINET LED

| ITEM | LIST PRICE |
|---------|------------|
| LED W09 | 115 |
| LED W12 | 130 |
| LED W15 | 140 |
| LED W18 | 150 |
| LED W21 | 160 |
| LED W24 | 175 |
| LED W27 | 190 |
| LED W30 | 200 |
| LED W33 | 210 |
| LED W36 | 225 |
| LED W39 | 235 |

- Dimmable. Settings allow for adjustment between Warm White to Cool White lighting
- Light temperature range of 2700-5000K
- LED Lighting bars are designed to be surface-mounted underneath a wall cabinet
- Consists of an aluminum channel housing with diffuser cover
- Requires Driver, Mesh Connector, & Recommended Light Switch (purchased separately).

Note: Installation by a qualified cabinetry installer or electrician is recommended.

Cabinet Lighting



LED FLS30 WALNUT SHOWN

FLOATING SHELF WITH LED - TIMBER

| ITEM | LIST PRICE |
|------------------|------------|
| LED FLS24 TIMBER | 750 |
| LED FLS30 TIMBER | 830 |
| LED FLS36 TIMBER | 950 |
| LED FLS42 TIMBER | 1010 |
| LED FLS48 TIMBER | 1075 |
| LED FLS54 TIMBER | 1325 |
| LED FLS60 TIMBER | 1580 |

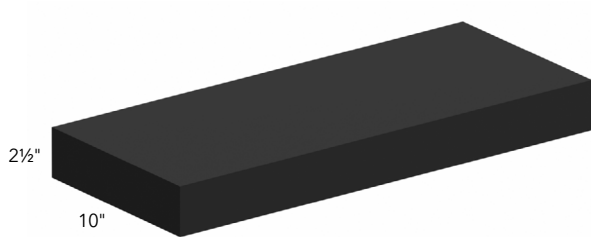
FLOATING SHELF WITH LED - WALNUT

| ITEM | LIST PRICE |
|------------------|------------|
| LED FLS24 WALNUT | 900 |
| LED FLS30 WALNUT | 995 |
| LED FLS36 WALNUT | 1100 |
| LED FLS42 WALNUT | 1200 |
| LED FLS48 WALNUT | 1300 |
| LED FLS54 WALNUT | 1490 |
| LED FLS60 WALNUT | 1690 |

- *Dimmable. Settings allow for adjustment between Warm White to Cool White lighting*
- *Light temperature range of 2700-5000K*
- *Floating shelves include a Light Bar with 6.5ft Lead and a 6.5ft Extension Lead*
- *LED Light Bar for Floating Shelves ship loose and are to be installed in the field*
- *Channel is pre-routed to accommodate LED light bar installation*
- *Floating Shelves with LED are available in Stock Paint and Stain Finishes, Walnut and are to be specified at time of order. For Finishing to a custom color, must be ordered as Dove or Frost.*
- *Requires Driver, Mesh Connector, & Recommended Light Switch (purchased separately).*

Note: *Installation by a qualified cabinetry installer or electrician is recommended.*

Cabinet Lighting



FLOATING SHELF WITH LED - BLACK MATTE

| ITEM | LIST PRICE |
|-------------------|------------|
| LED FLS24 BLACK M | 620 |
| LED FLS30 BLACK M | 700 |
| LED FLS36 BLACK M | 775 |
| LED FLS42 BLACK M | 860 |
| LED FLS48 BLACK M | 940 |
| LED FLS54 BLACK M | 1020 |
| LED FLS60 BLACK M | 1210 |



FLOATING SHELF WITH LED - WHITE MATTE

| ITEM | LIST PRICE |
|-------------------|------------|
| LED FLS24 WHITE M | 620 |
| LED FLS30 WHITE M | 700 |
| LED FLS36 WHITE M | 775 |
| LED FLS42 WHITE M | 860 |
| LED FLS48 WHITE M | 940 |
| LED FLS54 WHITE M | 1020 |
| LED FLS60 WHITE M | 1210 |

- Dimmable. Settings allow for adjustment between Warm White to Cool White lighting
- Light temperature range of 2700-5000K
- Floating shelves include a Light Bar with 6.5ft Lead and a 6.5ft Extension Lead
- LED Light Bar for Floating Shelves ship loose and are to be installed in the field
- Channel is pre-routed to accommodate LED light bar installation
- Floating Shelves with LED are available in Stock Paint and Stain Finishes, Walnut and are to be specified at time of order. For Finishing to a custom color, must be ordered as Dove or Frost.
- Requires Driver, Mesh Connector, & Recommended Light Switch (purchased separately).

Note: Installation by a qualified cabinetry installer or electrician is recommended.

Cabinet Lighting



PUCK LIGHT SET

| ITEM | LIST PRICE |
|-----------------|------------|
| LED 2-1/4" PUCK | 110 |

- Designed to recess into the bottom of a cabinet or soffit box.
- Includes puck light, silver cover cap, and lead
- Light temperature range of 2700-5000K
- Requires Driver, Mesh Connector, & Recommended Light Switch (purchased separately).

Note: Installation by a qualified cabinetry installer or electrician is recommended.

LED INTERIOR CABINET LIGHTING



| ITEM | LIST PRICE |
|-----------------------|------------|
| LED CAB INT 48" STRIP | 340 |

- Flexible LED Lighting Strip designed for interior cabinet lighting.
- Strip can be trimmed in 2" intervals to fit as needed
- Medium Intensity lighting
- Requires Driver, Mesh Connector, & Recommended Light Switch (purchased separately).

Note: Installation by a qualified cabinetry installer or electrician is recommended.



TUNABLE LED STRIP

| ITEM | LIST PRICE |
|------------------------------|------------|
| LED STRIP TUNABLE WHITE 10MM | 440 |

- Flexible LED Lighting Strip designed for ambient cabinet lighting.
- Full length is 86-9/16"
- Includes two pre-attached 78-3/4" leads, one on each end
- Features uniform light output: LED dots are not visible
- Encased in a silicone sleeve eliminating the need for a profile
- Strip can be trimmed in 2" intervals to fit as needed
- Requires Driver, Mesh Connector, & Recommended Light Switch (purchased separately).

Note: Installation by a qualified cabinetry installer or electrician is recommended.

Cabinet Lighting



DRIVER

| ITEM | LIST PRICE |
|------------|------------|
| LED DRIVER | 315 |

- 90w Driver 24V
- Includes power cord

Installation by a qualified cabinetry installer or electrician is recommended



MESH CONNECTOR

| ITEM | LIST PRICE |
|--------------------|------------|
| LED MESH CONNECTOR | 310 |

- 4-Port Mesh Distribution Box
- Bluetooth-enabled (Can pair with Wall Switch)

Installation by a qualified cabinetry installer or electrician is recommended



WIRELESS WALL LIGHT SWITCH

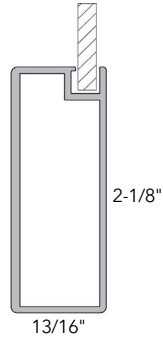
| ITEM | LIST PRICE |
|----------------|------------|
| LED WLS SWITCH | 340 |

- Leviton Decora-style Wall Switch with Dimmer Function

Note: Installation by a qualified cabinetry installer or electrician is recommended.

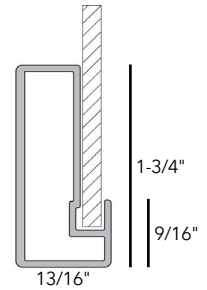
Metal Glass Door Program

PROFILES



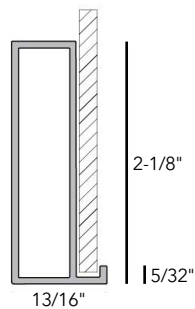
FAB003

- Shaker style frame
- Profile is 54mm (2-1/8") Wide x 20.5mm (13/16") Thick



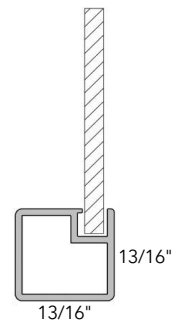
FAB004

- Shaker-within-shaker style frame, Shaker Frame with Recess, Shaker-style frame with raised
- Profile is 45mm (1-3/4") Wide x 20.5mm (13/16") Thick



FAB014

- Wide Frame with Narrow Bezel Edge & Glass Overlay
- Profile is 54mm (2-1/8") Wide x 20.5mm (13/16") Thick; the glass insert lays on top of the profile and then 4mm (5/32") bezel detail overlays the glass insert



FAB017

- Profile is 21mm (13/16") Wide x 20.5mm (13/16") Thick
- * Includes BLUM CLIP-ON Self-Close hinges (Not Soft-Close)

Metal Glass Door Program

METAL FINISHES



NATURAL ALUMINUM



BRUSHED STAINLESS



ONYX BLACK MATTE



GOLD

GLASS INSERT COLORS



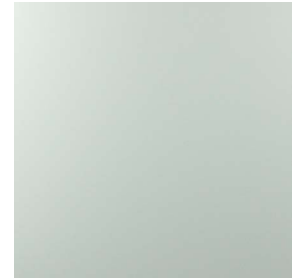
CLEAR



GREY CLEAR



BRONZE CLEAR



SATIN

SKU GUIDE FOR LOOSE DOORS

SKUs in EZPO are created based on Aluminum finish.

The Product Code will include nomenclature for IDMG (Illume Door Metal Glass), followed by the Color Code.

- IDMG-BLK {Onyx Black Matte}
- IDMG-GLD {Gold}
- IDMG-NAL {Natural Aluminum}
- IDMG-BRS {Brushed Stainless}

Then, the cabinet product code will follow.

- Example: **IDMG-BLK W1830** (Illume Door Metal Glass for W1830)

Metal Glass Doors

ONYX BLACK MATTE

| ITEM | LIST PRICE |
|-------------------|------------|
| IDMG-BLK MC304221 | 2250 |
| IDMG-BLK W0930 | 1140 |
| IDMG-BLK W0936 | 1265 |
| IDMG-BLK W0942 | 1385 |
| IDMG-BLK W1230 | 1240 |
| IDMG-BLK W1236 | 1400 |
| IDMG-BLK W1242 | 1540 |
| IDMG-BLK W1530 | 1360 |
| IDMG-BLK W1536 | 1535 |
| IDMG-BLK W1542 | 1685 |
| IDMG-BLK W1815LU | 1040 |
| IDMG-BLK W1818LU | 1105 |
| IDMG-BLK W1830 | 1480 |
| IDMG-BLK W1836 | 1670 |
| IDMG-BLK W1842 | 1840 |
| IDMG-BLK W2115LU | 1090 |
| IDMG-BLK W2118LU | 1190 |
| IDMG-BLK W2130 | 1600 |
| IDMG-BLK W2136 | 1800 |
| IDMG-BLK W2142 | 1990 |
| IDMG-BLK W2412 | 1905 |
| IDMG-BLK W2415LU | 1175 |
| IDMG-BLK W2418 | 2055 |
| IDMG-BLK W2418LU | 1270 |
| IDMG-BLK W2424 | 2210 |
| IDMG-BLK W2430 | 2475 |
| IDMG-BLK W2430SD | 1715 |
| IDMG-BLK W2436 | 2795 |
| IDMG-BLK W2436SD | 1935 |
| IDMG-BLK W2442 | 3070 |
| IDMG-BLK W2442SD | 2145 |
| IDMG-BLK W2715LU | 1250 |
| IDMG-BLK W2718LU | 1360 |
| IDMG-BLK W2730 | 2595 |
| IDMG-BLK W2736 | 2930 |
| IDMG-BLK W2742 | 3225 |
| IDMG-BLK W3012 | 1975 |
| IDMG-BLK W3015 | 2055 |
| IDMG-BLK W3015LU | 1325 |
| IDMG-BLK W3018 | 2130 |
| IDMG-BLK W3018LU | 1445 |
| IDMG-BLK W3024 | 2405 |
| IDMG-BLK W3030 | 2715 |
| IDMG-BLK W3036 | 3060 |
| IDMG-BLK W3042 | 3370 |
| IDMG-BLK W3312 | 2020 |

| ITEM | LIST PRICE |
|--------------------|------------|
| IDMG-BLK W3315 | 2095 |
| IDMG-BLK W3315LU | 1410 |
| IDMG-BLK W3318 | 2175 |
| IDMG-BLK W3318LU | 1535 |
| IDMG-BLK W3324 | 2505 |
| IDMG-BLK W3330 | 2835 |
| IDMG-BLK W3336 | 3195 |
| IDMG-BLK W3342 | 3525 |
| IDMG-BLK W3612 | 2055 |
| IDMG-BLK W3615 | 2130 |
| IDMG-BLK W3615LU | 1485 |
| IDMG-BLK W3618 | 2265 |
| IDMG-BLK W3618LU | 1620 |
| IDMG-BLK W3624 | 2610 |
| IDMG-BLK W3630 | 2950 |
| IDMG-BLK W3636 | 3330 |
| IDMG-BLK W3642 | 3675 |
| IDMG-BLK W421224LU | 1490 |
| IDMG-BLK W481224LU | 1630 |
| IDMG-BLK WAC2418 | 1270 |
| IDMG-BLK WAC3018 | 1445 |
| IDMG-BLK WAC3318 | 1535 |
| IDMG-BLK WAC3618 | 1620 |
| IDMG-BLK WBC2730 | 1205 |
| IDMG-BLK WBC2736 | 1350 |
| IDMG-BLK WBC2742 | 1490 |
| IDMG-BLK WBC3030 | 1325 |
| IDMG-BLK WBC3036 | 1485 |
| IDMG-BLK WBC3042 | 1635 |
| IDMG-BLK WBC3630 | 1565 |
| IDMG-BLK WBC3636 | 1750 |
| IDMG-BLK WBC3642 | 1945 |
| IDMG-BLK WD1848 | 1815 |
| IDMG-BLK WD1854 | 1985 |
| IDMG-BLK WD1860 | 2160 |
| IDMG-BLK WD2448 | 3035 |
| IDMG-BLK WD2454 | 3310 |
| IDMG-BLK WD2460 | 3590 |
| IDMG-BLK WDC2415 | 990 |
| IDMG-BLK WDC2418 | 1025 |
| IDMG-BLK WDC2430 | 1310 |
| IDMG-BLK WDC2436 | 1465 |
| IDMG-BLK WDC2442 | 1615 |
| IDMG-BLK WPC2430 | 2315 |
| IDMG-BLK WPC2436 | 2590 |
| IDMG-BLK WPC2442 | 2855 |

Metal Glass Doors

BRUSHED STAINLESS

| ITEM | LIST PRICE |
|-------------------|------------|
| IDMG-BRS MC304221 | 1895 |
| IDMG-BRS W0930 | 950 |
| IDMG-BRS W0936 | 1045 |
| IDMG-BRS W0942 | 1135 |
| IDMG-BRS W1230 | 1035 |
| IDMG-BRS W1236 | 1165 |
| IDMG-BRS W1242 | 1270 |
| IDMG-BRS W1530 | 1135 |
| IDMG-BRS W1536 | 1285 |
| IDMG-BRS W1542 | 1410 |
| IDMG-BRS W1815LU | 875 |
| IDMG-BRS W1818LU | 925 |
| IDMG-BRS W1830 | 1240 |
| IDMG-BRS W1836 | 1405 |
| IDMG-BRS W1842 | 1545 |
| IDMG-BRS W2115LU | 920 |
| IDMG-BRS W2118LU | 995 |
| IDMG-BRS W2130 | 1345 |
| IDMG-BRS W2136 | 1525 |
| IDMG-BRS W2142 | 1680 |
| IDMG-BRS W2412 | 1665 |
| IDMG-BRS W2415LU | 980 |
| IDMG-BRS W2418 | 1755 |
| IDMG-BRS W2418LU | 1065 |
| IDMG-BRS W2424 | 1850 |
| IDMG-BRS W2430 | 2065 |
| IDMG-BRS W2430SD | 1445 |
| IDMG-BRS W2436 | 2320 |
| IDMG-BRS W2436SD | 1635 |
| IDMG-BRS W2442 | 2535 |
| IDMG-BRS W2442SD | 1815 |
| IDMG-BRS W2715LU | 1045 |
| IDMG-BRS W2718LU | 1135 |
| IDMG-BRS W2730 | 2165 |
| IDMG-BRS W2736 | 2440 |
| IDMG-BRS W2742 | 2675 |
| IDMG-BRS W3012 | 1715 |
| IDMG-BRS W3015 | 1755 |
| IDMG-BRS W3015LU | 1105 |
| IDMG-BRS W3018 | 1805 |
| IDMG-BRS W3018LU | 1205 |
| IDMG-BRS W3024 | 2020 |
| IDMG-BRS W3030 | 2270 |
| IDMG-BRS W3036 | 2560 |
| IDMG-BRS W3042 | 2810 |
| IDMG-BRS W3312 | 1735 |

| ITEM | LIST PRICE |
|--------------------|------------|
| IDMG-BRS W3315 | 1785 |
| IDMG-BRS W3315LU | 1170 |
| IDMG-BRS W3318 | 1840 |
| IDMG-BRS W3318LU | 1285 |
| IDMG-BRS W3324 | 2105 |
| IDMG-BRS W3330 | 2375 |
| IDMG-BRS W3336 | 2680 |
| IDMG-BRS W3342 | 2945 |
| IDMG-BRS W3612 | 1755 |
| IDMG-BRS W3615 | 1805 |
| IDMG-BRS W3615LU | 1235 |
| IDMG-BRS W3618 | 1910 |
| IDMG-BRS W3618LU | 1355 |
| IDMG-BRS W3624 | 2195 |
| IDMG-BRS W3630 | 2475 |
| IDMG-BRS W3636 | 2800 |
| IDMG-BRS W3642 | 3080 |
| IDMG-BRS W421224LU | 1225 |
| IDMG-BRS W481224LU | 1330 |
| IDMG-BRS WAC2418 | 1065 |
| IDMG-BRS WAC3018 | 1205 |
| IDMG-BRS WAC3318 | 1285 |
| IDMG-BRS WAC3618 | 1355 |
| IDMG-BRS WBC2730 | 1000 |
| IDMG-BRS WBC2736 | 1115 |
| IDMG-BRS WBC2742 | 1225 |
| IDMG-BRS WBC3030 | 1105 |
| IDMG-BRS WBC3036 | 1235 |
| IDMG-BRS WBC3042 | 1360 |
| IDMG-BRS WBC3630 | 1310 |
| IDMG-BRS WBC3636 | 1475 |
| IDMG-BRS WBC3642 | 1630 |
| IDMG-BRS WD1848 | 1525 |
| IDMG-BRS WD1854 | 1665 |
| IDMG-BRS WD1860 | 1805 |
| IDMG-BRS WD2448 | 2505 |
| IDMG-BRS WD2454 | 2725 |
| IDMG-BRS WD2460 | 2945 |
| IDMG-BRS WDC2415 | 845 |
| IDMG-BRS WDC2418 | 870 |
| IDMG-BRS WDC2430 | 1085 |
| IDMG-BRS WDC2436 | 1210 |
| IDMG-BRS WDC2442 | 1340 |
| IDMG-BRS WPC2430 | 1915 |
| IDMG-BRS WPC2436 | 2135 |
| IDMG-BRS WPC2442 | 2335 |

Metal Glass Doors

GOLD

| ITEM | LIST PRICE |
|-------------------|------------|
| IDMG-GLD MC304221 | 2795 |
| IDMG-GLD W0930 | 1440 |
| IDMG-GLD W0936 | 1605 |
| IDMG-GLD W0942 | 1775 |
| IDMG-GLD W1230 | 1560 |
| IDMG-GLD W1236 | 1765 |
| IDMG-GLD W1242 | 1950 |
| IDMG-GLD W1530 | 1705 |
| IDMG-GLD W1536 | 1920 |
| IDMG-GLD W1542 | 2125 |
| IDMG-GLD W1815LU | 1285 |
| IDMG-GLD W1818LU | 1375 |
| IDMG-GLD W1830 | 1845 |
| IDMG-GLD W1836 | 2080 |
| IDMG-GLD W1842 | 2295 |
| IDMG-GLD W2115LU | 1365 |
| IDMG-GLD W2118LU | 1485 |
| IDMG-GLD W2130 | 1985 |
| IDMG-GLD W2136 | 2235 |
| IDMG-GLD W2142 | 2470 |
| IDMG-GLD W2412 | 2265 |
| IDMG-GLD W2415LU | 1470 |
| IDMG-GLD W2418 | 2510 |
| IDMG-GLD W2418LU | 1595 |
| IDMG-GLD W2424 | 2755 |
| IDMG-GLD W2430 | 3115 |
| IDMG-GLD W2430SD | 2130 |
| IDMG-GLD W2436 | 3520 |
| IDMG-GLD W2436SD | 2395 |
| IDMG-GLD W2442 | 3895 |
| IDMG-GLD W2442SD | 2640 |
| IDMG-GLD W2715LU | 1565 |
| IDMG-GLD W2718LU | 1705 |
| IDMG-GLD W2730 | 3255 |
| IDMG-GLD W2736 | 3675 |
| IDMG-GLD W2742 | 4065 |
| IDMG-GLD W3012 | 2385 |
| IDMG-GLD W3015 | 2510 |
| IDMG-GLD W3015LU | 1670 |
| IDMG-GLD W3018 | 2630 |
| IDMG-GLD W3018LU | 1810 |
| IDMG-GLD W3024 | 2995 |
| IDMG-GLD W3030 | 3400 |
| IDMG-GLD W3036 | 3835 |
| IDMG-GLD W3042 | 4235 |
| IDMG-GLD W3312 | 2450 |

| ITEM | LIST PRICE |
|--------------------|------------|
| IDMG-GLD W3315 | 2570 |
| IDMG-GLD W3315LU | 1770 |
| IDMG-GLD W3318 | 2700 |
| IDMG-GLD W3318LU | 1920 |
| IDMG-GLD W3324 | 3120 |
| IDMG-GLD W3330 | 3540 |
| IDMG-GLD W3336 | 3990 |
| IDMG-GLD W3342 | 4410 |
| IDMG-GLD W3612 | 2510 |
| IDMG-GLD W3615 | 2630 |
| IDMG-GLD W3615LU | 1870 |
| IDMG-GLD W3618 | 2810 |
| IDMG-GLD W3618LU | 2030 |
| IDMG-GLD W3624 | 3245 |
| IDMG-GLD W3630 | 3680 |
| IDMG-GLD W3636 | 4150 |
| IDMG-GLD W3642 | 4585 |
| IDMG-GLD W421224LU | 1900 |
| IDMG-GLD W481224LU | 2085 |
| IDMG-GLD WAC2418 | 1595 |
| IDMG-GLD WAC3018 | 1810 |
| IDMG-GLD WAC3318 | 1920 |
| IDMG-GLD WAC3618 | 2030 |
| IDMG-GLD WBC2730 | 1530 |
| IDMG-GLD WBC2736 | 1715 |
| IDMG-GLD WBC2742 | 1900 |
| IDMG-GLD WBC3030 | 1670 |
| IDMG-GLD WBC3036 | 1870 |
| IDMG-GLD WBC3042 | 2075 |
| IDMG-GLD WBC3630 | 1955 |
| IDMG-GLD WBC3636 | 2190 |
| IDMG-GLD WBC3642 | 2420 |
| IDMG-GLD WD1848 | 2265 |
| IDMG-GLD WD1854 | 2480 |
| IDMG-GLD WD1860 | 2700 |
| IDMG-GLD WD2448 | 3840 |
| IDMG-GLD WD2454 | 4210 |
| IDMG-GLD WD2460 | 4580 |
| IDMG-GLD WDC2415 | 1210 |
| IDMG-GLD WDC2418 | 1270 |
| IDMG-GLD WDC2430 | 1645 |
| IDMG-GLD WDC2436 | 1845 |
| IDMG-GLD WDC2442 | 2045 |
| IDMG-GLD WPC2430 | 2925 |
| IDMG-GLD WPC2436 | 3295 |
| IDMG-GLD WPC2442 | 3650 |

Metal Glass Doors

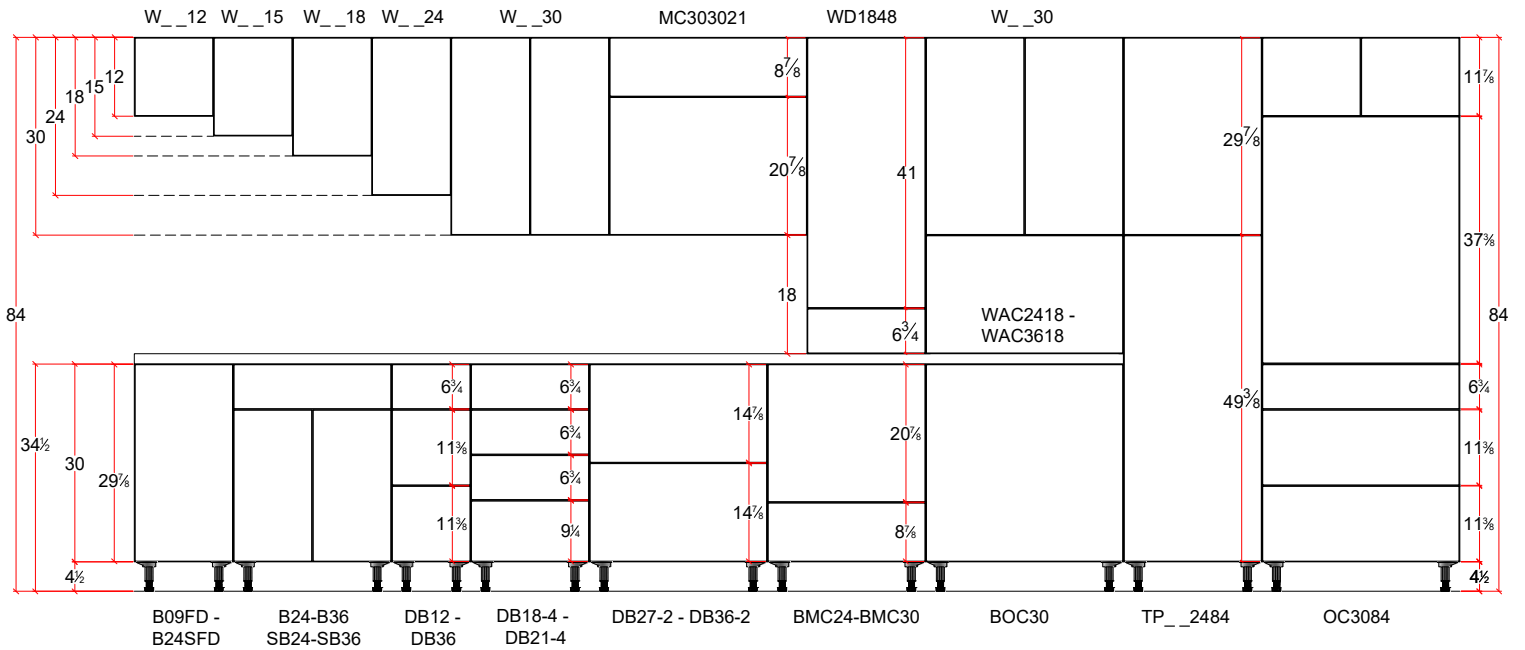
NATURAL ALUMINUM

| ITEM | LIST PRICE |
|-------------------|------------|
| IDMG-NAL MC304221 | 1685 |
| IDMG-NAL W0930 | 840 |
| IDMG-NAL W0936 | 915 |
| IDMG-NAL W0942 | 990 |
| IDMG-NAL W1230 | 915 |
| IDMG-NAL W1236 | 1020 |
| IDMG-NAL W1242 | 1115 |
| IDMG-NAL W1530 | 1010 |
| IDMG-NAL W1536 | 1135 |
| IDMG-NAL W1542 | 1245 |
| IDMG-NAL W1815LU | 775 |
| IDMG-NAL W1818LU | 820 |
| IDMG-NAL W1830 | 1105 |
| IDMG-NAL W1836 | 1245 |
| IDMG-NAL W1842 | 1370 |
| IDMG-NAL W2115LU | 815 |
| IDMG-NAL W2118LU | 885 |
| IDMG-NAL W2130 | 1195 |
| IDMG-NAL W2136 | 1355 |
| IDMG-NAL W2142 | 1495 |
| IDMG-NAL W2412 | 1530 |
| IDMG-NAL W2415LU | 870 |
| IDMG-NAL W2418 | 1590 |
| IDMG-NAL W2418LU | 945 |
| IDMG-NAL W2424 | 1645 |
| IDMG-NAL W2430 | 1825 |
| IDMG-NAL W2430SD | 1295 |
| IDMG-NAL W2436 | 2040 |
| IDMG-NAL W2436SD | 1470 |
| IDMG-NAL W2442 | 2225 |
| IDMG-NAL W2442SD | 1620 |
| IDMG-NAL W2715LU | 925 |
| IDMG-NAL W2718LU | 1005 |
| IDMG-NAL W2730 | 1915 |
| IDMG-NAL W2736 | 2150 |
| IDMG-NAL W2742 | 2350 |
| IDMG-NAL W3012 | 1555 |
| IDMG-NAL W3015 | 1590 |
| IDMG-NAL W3015LU | 980 |
| IDMG-NAL W3018 | 1615 |
| IDMG-NAL W3018LU | 1070 |
| IDMG-NAL W3024 | 1795 |
| IDMG-NAL W3030 | 2015 |
| IDMG-NAL W3036 | 2265 |
| IDMG-NAL W3042 | 2480 |
| IDMG-NAL W3312 | 1570 |

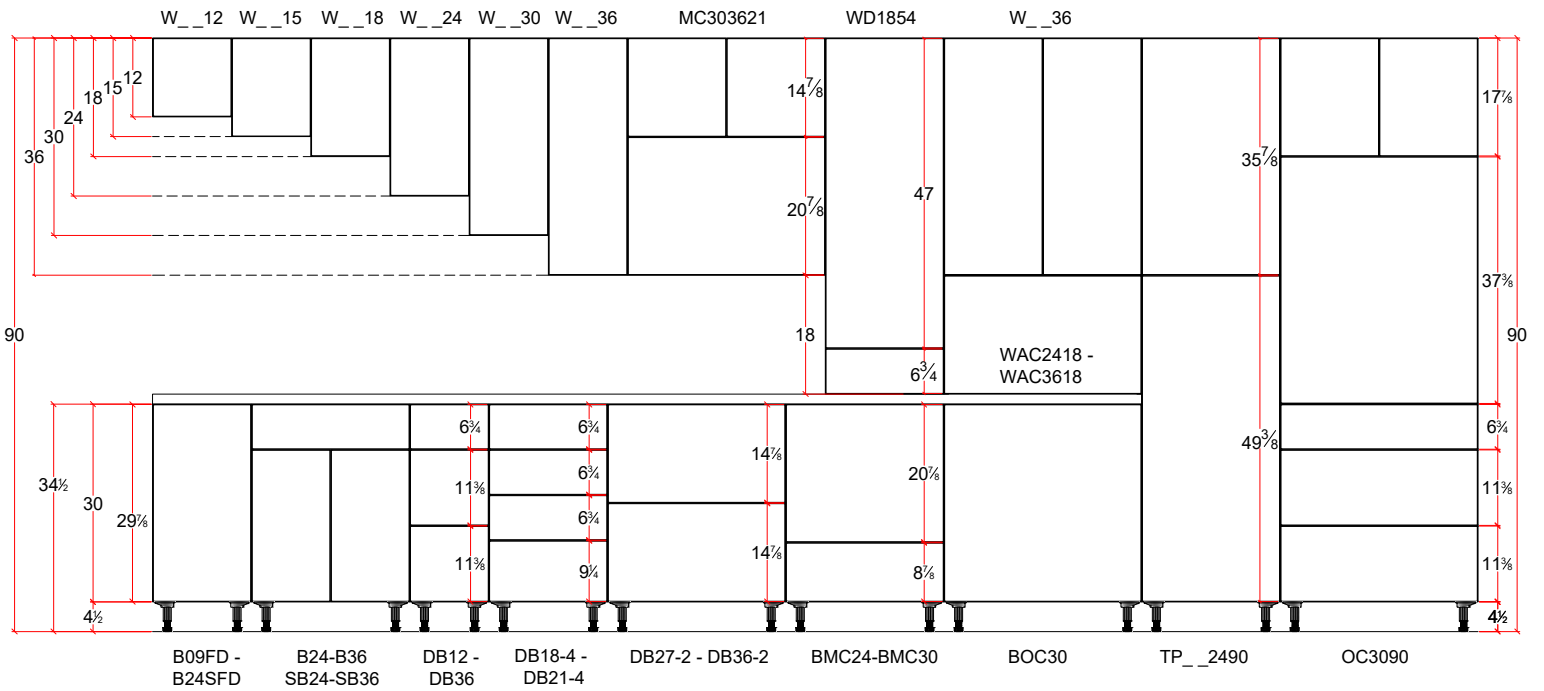
| ITEM | LIST PRICE |
|--------------------|------------|
| IDMG-NAL W3315 | 1600 |
| IDMG-NAL W3315LU | 1035 |
| IDMG-NAL W3318 | 1635 |
| IDMG-NAL W3318LU | 1135 |
| IDMG-NAL W3324 | 1870 |
| IDMG-NAL W3330 | 2105 |
| IDMG-NAL W3336 | 2375 |
| IDMG-NAL W3342 | 2610 |
| IDMG-NAL W3612 | 1590 |
| IDMG-NAL W3615 | 1615 |
| IDMG-NAL W3615LU | 1085 |
| IDMG-NAL W3618 | 1705 |
| IDMG-NAL W3618LU | 1195 |
| IDMG-NAL W3624 | 1950 |
| IDMG-NAL W3630 | 2200 |
| IDMG-NAL W3636 | 2480 |
| IDMG-NAL W3642 | 2735 |
| IDMG-NAL W421224LU | 1065 |
| IDMG-NAL W481224LU | 1160 |
| IDMG-NAL WAC2418 | 945 |
| IDMG-NAL WAC3018 | 1070 |
| IDMG-NAL WAC3318 | 1135 |
| IDMG-NAL WAC3618 | 1195 |
| IDMG-NAL WBC2730 | 880 |
| IDMG-NAL WBC2736 | 975 |
| IDMG-NAL WBC2742 | 1065 |
| IDMG-NAL WBC3030 | 980 |
| IDMG-NAL WBC3036 | 1085 |
| IDMG-NAL WBC3042 | 1195 |
| IDMG-NAL WBC3630 | 1165 |
| IDMG-NAL WBC3636 | 1305 |
| IDMG-NAL WBC3642 | 1445 |
| IDMG-NAL WD1848 | 1355 |
| IDMG-NAL WD1854 | 1475 |
| IDMG-NAL WD1860 | 1605 |
| IDMG-NAL WD2448 | 2200 |
| IDMG-NAL WD2454 | 2385 |
| IDMG-NAL WD2460 | 2570 |
| IDMG-NAL WDC2415 | 760 |
| IDMG-NAL WDC2418 | 775 |
| IDMG-NAL WDC2430 | 960 |
| IDMG-NAL WDC2436 | 1065 |
| IDMG-NAL WDC2442 | 1175 |
| IDMG-NAL WPC2430 | 1680 |
| IDMG-NAL WPC2436 | 1865 |
| IDMG-NAL WPC2442 | 2035 |

Height Alignment Guide

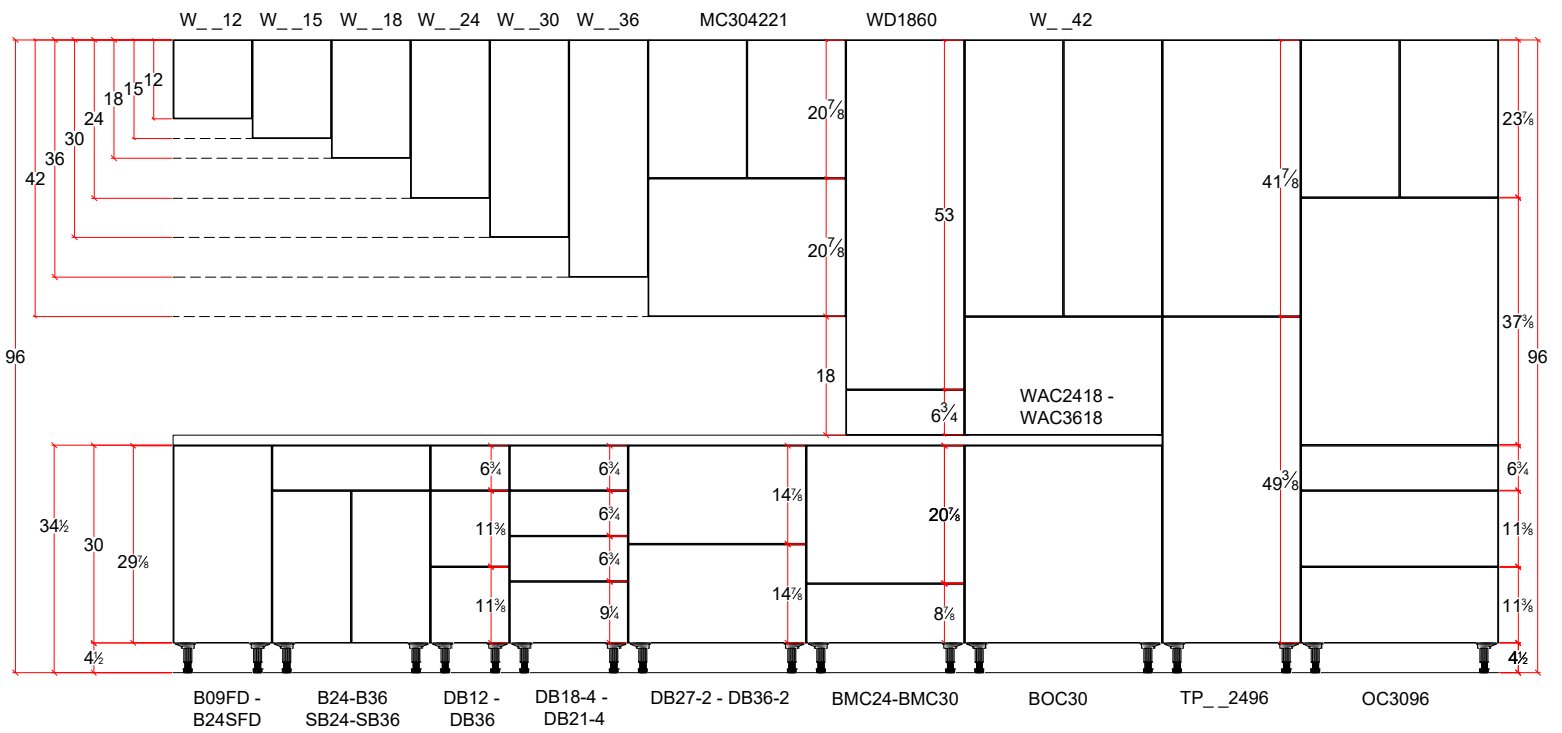
84" Height Alignment



90" Height Alignment



96" Height Alignment



Copyright © 2026 by Fabuwood Cabinetry Corp.

All rights reserved.

No part of this publication may be reproduced, distributed, or transmitted in any form or by any means, including photocopying, scanning, or other electronic or mechanical methods, including online sharing, without the prior written permission of Fabuwood Cabinetry Corp.

